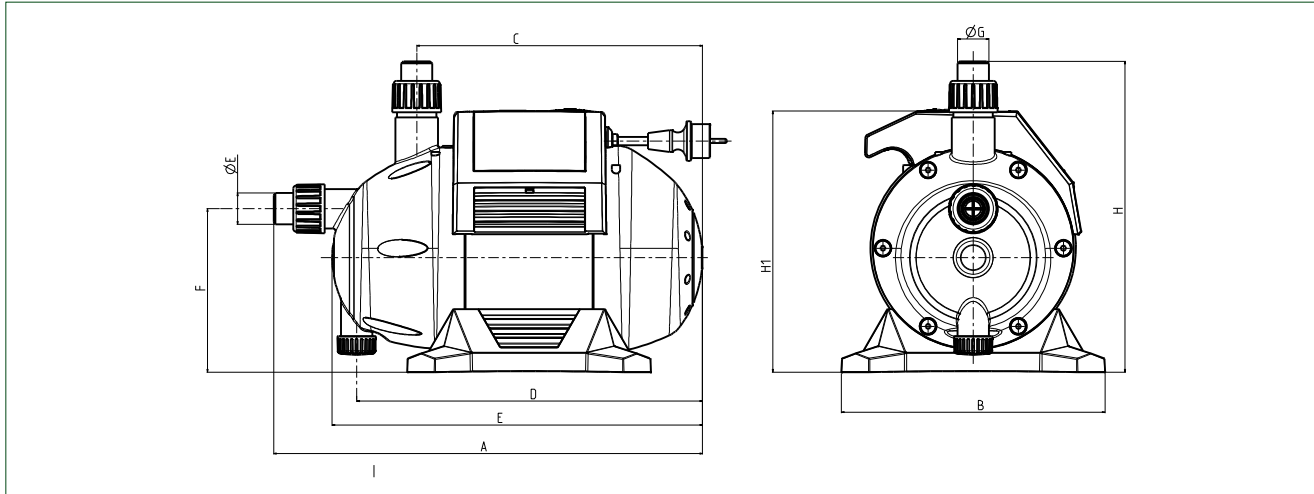


BOOSTER SILENT

ON/OFF AUTOMATIC ELECTRONIC BOOSTER SYSTEMS

DIMENSIONS AND WEIGHTS



MODEL	A	B	C	D	E	F	ØG	H	H1	DNA GAS	DNM GAS	PACKAGING DIMENSIONS			WEIGHT Kg	Q.TY x PALLET
												L/A	L/B	H		
BOOSTER SILENT 3 M	455	280	305	370	395	175	33	330	280	1"	1"	480	300	470	11,5	18
BOOSTER SILENT 3 M 5 bar	455	280	305	370	395	175	33	330	280	1"	1"	480	300	470	11,5	18
BOOSTER SILENT 4 M	455	280	305	370	395	175	33	330	280	1"	1"	480	300	470	11,5	18
BOOSTER SILENT 5 M	455	280	305	370	395	175	33	330	280	1"	1"	480	300	470	11,5	18

ACCESSORIES INCLUDED

RIF.	DESCRIPTION
A	3-WAY FITTING
B	STRAIGHT FITTING
C	2 LT TANK: <ul style="list-style-type: none"> • diaphragm high-grade butyl membrane • Patented stainless steel water connection • Epoxy primed paint finish • Single diaphragm design • Virgin polypropylene liner • Leak free o-ring sealed air valve cap