

# DRENAG 1400 - 1800

## SUBMERSIBLE PUMPS



### DOMESTIC CLEAN AND GREY WATER

Submersible pump with cast iron pump body, motor casing and adjustment ring impeller. Cast iron adjustment disk coated with abrasion-proof rubber. Stainless steel shaft, handle, filter, bolts and screws. Silicon/carbide mechanical seal, inspectionable oil chamber. Continuous duty submersible induction motor, in a watertight casing. Rotor mounted on oversized greased sealed-for-life ball bearings. Thermal protection in the windings, to be connected to the control panel. 10 mt of neoprene rubber power cable.

**In order to operate, the pumps must be equipped with a control and protection system, supplied separately and not connected to the electropumps.**

**Operating range:** from 6 to 33 m<sup>3</sup>/h with head up to 19,2 mt for the single-phase version and 21,5 mt for the three-phase version.

**Liquid quality requirements:** sandy, muddy or sludgy water from building sites, clean waste water, rain water, ground water, fountain, river or lake water, always non aggressive

**Liquid temperature range:** from 0°C to +55°C

**Free passage through the suction grid:** 12 mm

**Maximum immersion depth:** 10 mt

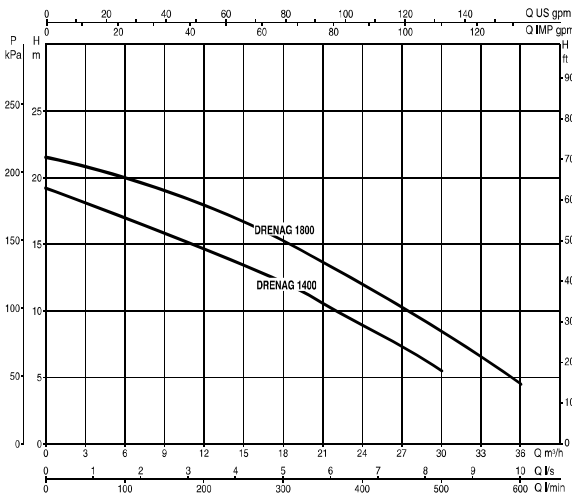
**Installation:** fixed or portable in a vertical position

**Liquid temperature range:** from 0°C to +55°

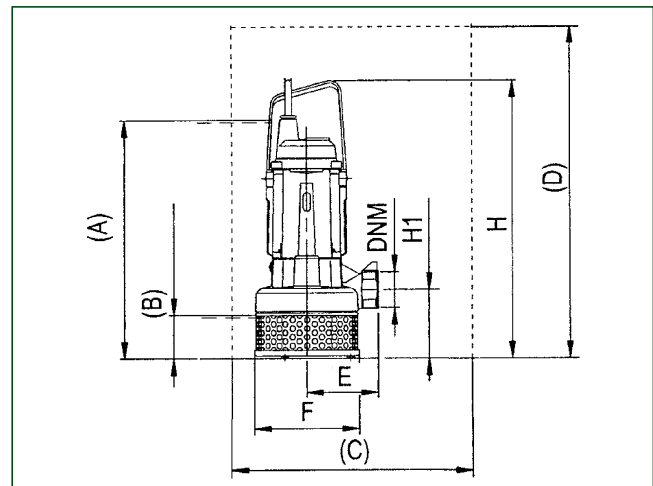
## TECHNICAL DATA

MODEL	CODE	ELECTRICAL DATA							HYDRAULIC DATA									
		VOLTAGE 50 HZ	P1 MAX kW	P2 NOMINAL		In A	CAPACITOR		Q=m <sup>3</sup> /h	0	6	9	12	15	18	24	30	36
				kW	HP		µF	Vc										
DRENAG 1400 M	103010040	1X230 V~	2	1,1	1,5	9,2	40	450	H (m)	19,2	17	15,9	14,6	13,5	12,1	9	5,5	
DRENAG 1800 T	103010160	3X400 V~	2,3	1,5	2,0	4,4	-	-		21,5	20	19	18	16,5	15,2	12	8,5	4,5

### DRENAG 1400 - 1800



## DIMENSIONS AND WEIGHTS



MODEL	A	B	C	D	E	FØ	DNM GAS	H	H1	FREE PASSAGE mm	Q.TY X PALLET	WEIGHT KG
DRENAG 1400 M	500	90	500x500 min	600 min	150	219	2"	584	144	12	6	44,2
DRENAG 1800 T	500	90	500x500 min	600 min	150	219	2"	584	144	12	6	44

# DRENAG 1600 - 2000 - 2500 - 3000

## SUBMERSIBLE PUMPS



### DOMESTIC CLEAN AND GREY WATER

Submersible centrifugal pump with **ADJUSTMENT RING IMPELLER** suitable for lifting water from drainage waste containing solids having maximum size of **5 mm**. Top cover and motor body in anodized die cast aluminium. Impeller in ENGJL 200 cast iron. Pump body in ENGJL 200 cast iron. Double mechanical seals in oil chamber: motor side carbon/alumina, pump side in silicon carbide/silicon carbide. Dry type asynchronous sealed motor. Rotor mounted on ball bearings to ensure silent running and long life. In the single phase version capacitor is supplied in external control box equipped with current protection

**Protection level:** IP 68

**Insulation class:** F

Continuous duty, with completely immersed pump. The single-phase version can be equipped with float switch for automatic starting and stopping of the pump. Supplied as standard with 10 metre H07RN-F power cable.

**Operating range:** from 3 to 66 m<sup>3</sup>/h with head up to 17 mt  
**Liquid quality requirements:** Clear drain not aggressive water

**Liquid temperature range:** from 0° to + 40°

**Maximum immersion depth:** 10 mt

**Installation:** portable, in vertical position

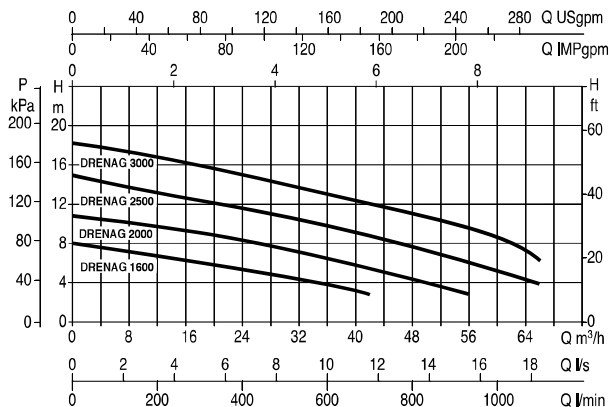
**Free passage through the suction grid :** 5 mm

## TECHNICAL DATA

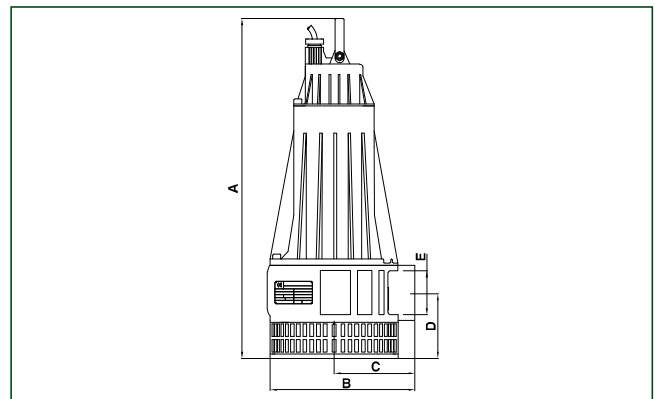
MODEL	CODE	ELECTRICAL DATA							HYDRAULIC DATA																
		VOLTAGE 50 HZ	P1 MAX KW	P2 NOMINAL		In A	CAPACITOR		Q=m <sup>3</sup> /h	0	3	6	9	12	15	18	24	30	36	42	48	54	60	66	
				KW	HP		µF	Vc	Q=l/min	0	50	100	150	200	250	300	400	500	600	700	800	900	1000	1100	
DRENAG 1600 M-A	60141710	1X230 V~	1,6	1,1	1,5	7,4	30	450	H (m)	8	7,6	7,2	7	6,7	6,4	6	5,3	4,7	3,9	2,8					
DRENAG 1600 T-NA	60141711	3X400 V~	1,6	1,1	1,5	3	-	-		8	7,6	7,2	7	6,7	6,4	6	5,3	4,7	3,9	2,8					
DRENAG 2000 T-NA	60141712	3X400 V~	2	1,4	1,9	4,1	-	-		10,8	10,5	10,3	10	9,7	9,4	9,1	8,4	7,4	6,4	5,3	4,2	2,9			
DRENAG 2500 T-NA	60141713	3X400 V~	3,1	1,8	2,4	5,3	-	-		15	14,4	13,9	13,5	13,1	12,8	12,4	11,7	10,9	9,9	8,9	7,9	6,7	5,3	3,9	
DRENAG 3000 T-NA	60141714	3X400 V~	3,5	2,2	2,9	6,2	-	-		18,2	17,9	17,6	17,2	16,8	16,4	15,9	14,9	14	12,9	12	10,9	9,9	8,2	6,2	

A: automatic with float  
NA: non automatic without float  
T: three-phase

## DRENAG 1600 - 2000 - 2500 - 3000



## DIMENSIONS AND WEIGHTS



MODEL	A	B	C	D	E - DN M GAS	FREE PASSAGE mm	Q.TY X PALLET	WEIGHT Kg
DRENAG 1600 M-A	550	215	112	110	2" 1/2	5	8	23,5
DRENAG 1600 T-NA	550	215	112	110	2" 1/2	5	8	23,5
DRENAG 2000 T-NA	550	215	112	110	2" 1/2	5	8	23,5
DRENAG 2500 T-NA	550	215	112	110	2" 1/2	5	8	24
DRENAG 3000 T-NA	550	215	112	110	2" 1/2	5	8	26

## ACCESSORIES - DRENAG / NOVA SUBMERSIBLE PUMPS

DESCRIPTION		CODE
FLOAT KEY	5 mt	159260030
	10 mt	159260040
	15 mt	159260050
	20 mt	159260070
FLOAT SWITCH COUNTERWEIGHT - 300 gr		002910501
AS 1 CONTROL - WITH ALARM DEVICE		108310000
SHACKLE KIT WITH 5 meter CHAIN		141300010
SHACKLE KIT WITH 10 meter CHAIN		141300030
BALL NON-RETURN VALVE - 1" 1/4 THREAD.		6VRFL005
BALL NON-RETURN VALVE - 1" 1/2 THREAD.		6VRFL010
BALL NON-RETURN VALVE - 2" THREAD.		6VRFL020
PVC NON-RETURN VALVE (BALL) 1 1/4" - THREADED		002130285
PVC NON-RETURN VALVE (BALL) 1 1/2" - THREADED		002130286
PVC NON-RETURN VALVE (BALL) 2" - THREADED		002130287
ACUSTIC ALARM - 230 V		002789002
PRESSURE TRASDUCER 0-5 mt- CABLE 20 MT. For E-Box		60114675
DRENAG SHIM KIT		147120680
DSD2 - LIFTING DEVICE		109530060



DSD2



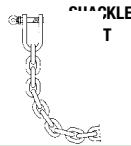
FLOAT



COUNTERWEIGHT



CONTROL AS1



SHACKLE  
KIT



ACUSTIC ALARM



BALL NON RETURN VALVE

## PROTECTION AND CONTROL SYSTEMS

MODEL	CODE	VOLTAGE 50 HZ			P2 NOMINAL		MAX CURRENT A	N° CONNECTABLE FLOATS (1)	N° CONNECTABLE PUMPS	TO BE USED FOR PUMP/MODEL
		1x230	3x230	3x400	kW	HP				
MDN	108300030	•			1,1	1,5	12	1	1	DRENAG 1400
ED 1,3 M	108320320	•			1	1,36	10	102	1	DRENAG 500 / 700 / 900 / 1000 / 1200 M-NA - NOVA 600 M-NA
ED 1 T	108320330			•	0,74	1	2,5	102	1	DRENAG 700 / 900 T-NA - NOVA 600 T-NA
ED 1,5 T	108320340			•	1,1	1,5	4	102	1	DRENAG 1000 / 1200 T - 1600 TNA
ED 2,5 T	108320350			•	1,8	2,5	6,3	102	1	DRENAG 2500 T-NA - 1800 T - 2000 T-NA
ED 3 M	108320360	•			1,1	1,5	16	102	1	DRENAG 1400 M
ED 4T	108320610			•	3	4	10	102	1	DRENAG 3000 T-NA
E2D 2,6 M	108320400	•			2x1	2x1,36	2x10	203	2	DRENAG 500/ 700 / 900 / 1000/1200 M-NA - NOVA 600 M-NA
E2D 6 M	108320420	•			2x1,5	2x3	2x16	203	2	DRENAG 1400 M
E2D 5T	108320460			•	2x1,8	2x2,5	2x6,3	203	2	DRENAG 1800 T
E-BOX 2D M/T	60114868	•			2x2,2	2x3	2x12	203	2	DRENAG ALL MODELS M-NA / T-NA - NOVA 600 M-NA / T-NA
			•		2x3	2x4				
				•	2x5,5	2x7,5				
E-BOX 2D 40µF	60114869	•			2x2,2	2x3	2x12	203	2	DRENAG 1400 M
E3D4,5T	108330450			•	3x1,1	3x1,5	3x4	304	3	DRENAG 1000 T / 1200 T / 1600 T-NA
E3 D7,5T	60115082			•	3x1,8	3x2,5	3x6,3	304	3	DRENAG 1800 T / 2000 T-NA / 2500 T-NA
E3D12T	60115083			•	3x3	3x4	3x10	304	3	DREANG 3000 TNA

(1) The floats are not included, they must be ordered separately.