

FEKA 1400 - 1800

SEWAGE PUMPS



SEWAGE AND WASTE WATER

Submersible pump with cast iron pump body, motor casing and vortex impeller. Stainless steel shaft, handle, filter, bolts and screws. Silicon/carbide mechanical seal, inspectionable oil chamber.

Continuous duty submersible induction motor, in a watertight casing. Rotor mounted on oversized greased sealed-for-life ball bearings. Thermal protection in the windings, to be connected to the control panel. with 10 metres of neoprene rubber power cable.

In order to operate, the pumps must be equipped with a control and protection system, supplied separately and not connected to the electropumps (see accessories).

Liquid temperature range: from 0°C to +55°C

Operating range: from 3 to 30 m³/h with head up to 14 mt for the single-phase version and 15,5 mt for the three-phase version.

Liquid quality requirements: dirty waste water, untreated sewage containing solids and/or long fibres, always non aggressive

Liquid temperature range: from 0°C to +55°C

Maximum ambient temperature for pump operation with the motor emerging: +40°C

Maximum immersion depth: 10 mt

Installation: fixed or portable in a vertical position

Free passage: 38 mm

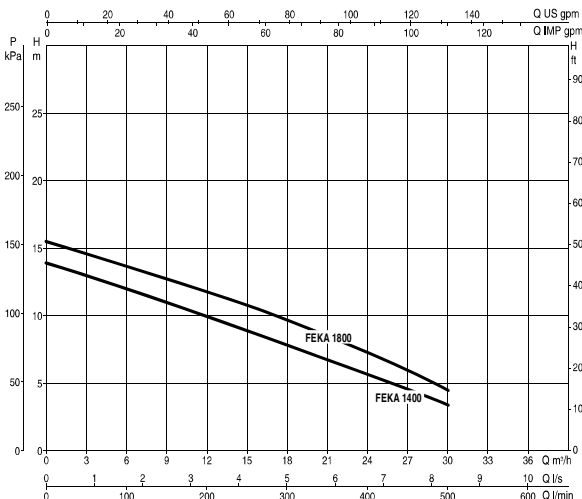
PANELS - ACCESSORIES

PAGE 442

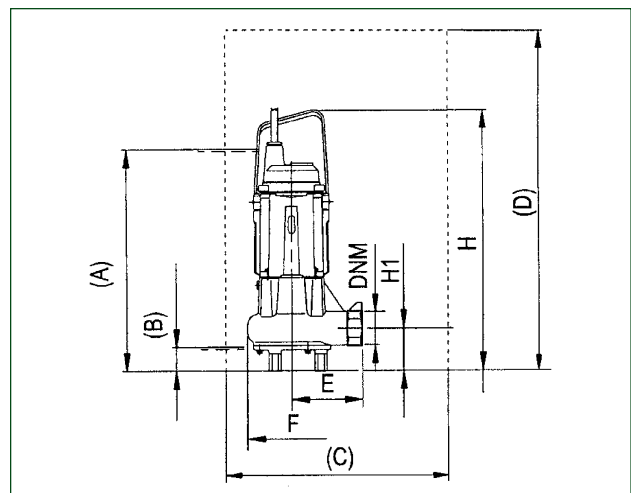
TECHNICAL DATA

MODEL	CODE	ELECTRICAL DATA						HYDRAULIC DATA									
		VOLTAGE 50 HZ	P1 MAX kW	P2 NOMINAL		In A	CAPACITOR		Q=m ³ /h	0	6	9	12	15	18	24	30
			kW	HP		µF	Vc	Q=l/min	0	100	150	200	250	300	400	500	
FEKA 1400 M	103010240	1X220 - 240 V~	1,8	1,1	1,5	8,5	40	450	H (m)	13,9	12	11	9,9	8,9	7,8	5,7	3,4
FEKA 1800 T	103010360	3X400 V	1,9	1,5	2,0	3,7	-	-		15,5	13,7	12,8	11,8	10,7	9,7	7,3	4,5

FEKA 1400 - 1800



DIMENSIONS AND WEIGHTS



MODEL	A	B	C	D	E	FØ	DNM GAS	H	H1	FREE PASSAGE mm	Q.TY X PALLET	WEIGHT KG
FEKA 1400 M	500	50	500x500 min	600 min	160	200	2"	583	94	38	6	41,2
FEKA 1800 T	500	50	500x500 min	600 min	160	200	2"	583	94	38	6	41,8

FEKA 2000

SEWAGE PUMPS



SEWAGE AND WASTE WATER



VORTEX
IMPELLER



Cast iron submersible pumps vortex impeller for sewage, suitable for foul waste water with solid contents with the **42 mm** as maximum diameter. Technopolymer upper cover with the handle. Nylon vortex impeller with the fiber glass abrasionproof resistance. Motor body, hydraulic section and any impeller in cast iron EN G.JL 200. Double mechanical seals in oil chamber: motor side carbon/alumina, pump side in silicon carbide/silicon carbide. Dry type asynchronous sealed motor. Rotor mounted on ball bearings to ensure silent running and long life. For single phase version, capacitor and overcurrent protection are set in external control box supplied with Schuko plug. For three phase versions, thermal and overcurrent protection are responsibility of the user.

Motor protection rating: IP 68

Insulation class: F

Continuous duty with completely immersed pump. The single-phase version can be equipped with float switch for automatic starting and stopping of the pump. Supplied as standard with **10 metre H07RN-F** power cable.

Operating range: from 3 to 39 m³/h with head up to 17 metres.

Liquid quality requirements: Non-aggressive sewage, drain water

Liquid temperature range: From 0° to + 40°.

Maximum immersion depth: 20 metres

Installation: portable, in vertical position.

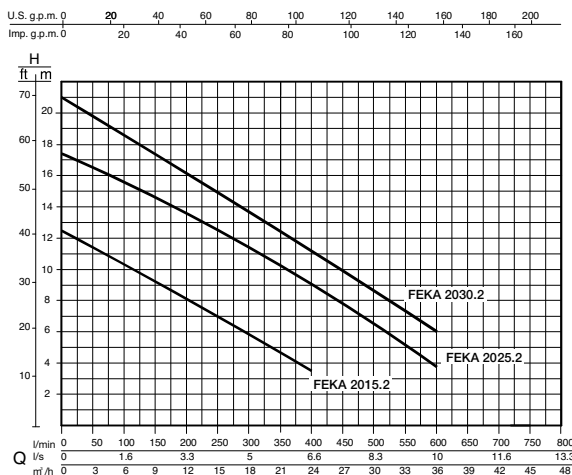
Free passage: 42 mm.



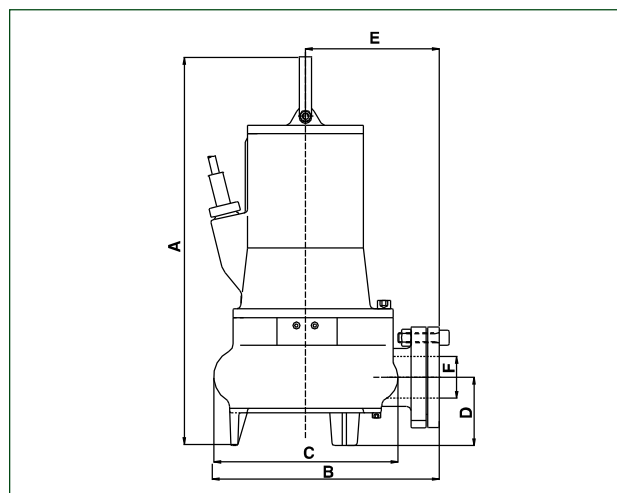
TECHNICAL DATA

MODEL	CODE	ELECTRICAL DATA					HYDRAULIC DATA							
		VOLTAGE 50 HZ	P1 MAX kW	P2 NOMINAL		In	Q=m ³ h	0	3	6	12	18	24	36
				kW	HP	A	Q=l/min	0	50	100	200	300	400	600
FEKA 2015.2 MA	60145478	1X230 V~	1,6	1,1	1,5	8	H (m)	12,5	11,5	10,5	8	5,8	3,6	
FEKA 2015.2 MNA	60145479	1X230 V~	1,6	1,1	1,5	8		12,5	11,5	10,5	8	5,8	3,6	
FEKA 2015.2 TNA	60145480	3X400 V~	1,5	1,1	1,5	2,8		12,5	11,5	10,5	8	5,8	3,6	
FEKA 2025.2 TNA	60145481	3X400 V~	2,2	1,8	2,4	4,1		17,5	16,5	15,6	13,6	11,6	9	3,8
FEKA 2030.2 TNA	60145482	3X400 V~	3,3	2,2	3	5,6		21	19,8	18,5	16	13,8	11,00	6

FEKA 2000



DIMENSIONS AND WEIGHTS



MODEL	A	B	C	D	E	F Ø	DNM GAS	FREE PASSAGE mm	Q.TY X PALLET	WEIGHT KG
FEKA 2015.2	457	300	220	88	178	2" GAS	2"	42	8	32
FEKA 2025.2	457	300	220	88	178	2" GAS	2"	42	8	33
FEKA 2030.2	457	300	220	88	178	2" GAS	2"	42	8	34

ACCESSORIES

MODEL	CODE
THERMAL PROTECTION KIT	on request



FEKA 2500 /2700

SEWAGE PUMPS

SEWAGE AND WASTE WATER



VORTEX
IMPELLER



Cast iron submersible pumps with the vortex impeller for sewage, suitable for foul waste water with solid contents with the **62 mm** as maximum diameter. Technopolymer upper cover with the handle. Nylon vortex impeller with the fiber glass abrasionproof resistance. Motor body, hydraulic section and any impeller in cast iron EN G.JL 200. Single mechanical seals pump side in silicon carbide/silicon carbide and radial seal in oil chamber. On request : oil chamber with water level detector kit.. Dry type asynchronous sealed motor. Rotor mounted on ball bearings to ensure silent running and long life. For single phase version, capacitor and overcurrent protection are set in external control box supplied with Schuko plug. For three phase versions, thermal and overcurrent protection are responsibility of the user

Motor protection rating: IP 68

Insulation class: F

Continuous duty with completely immersed pump. The single-phase version can be equipped with float switch for automatic starting and stopping of the pump. Supplied as standard with **10 mt H07RN-F** power cable.

Operating range: from 6 to 48 m³/h with head up to 17 mt.

Liquid quality requirements: Non-aggressive sewage, drain water

Liquid temperature range: From 0° to + 40°.

Maximum immersion depth: 20 mt

Installation: portable, in vertical position.

Free passage: 62 mm.

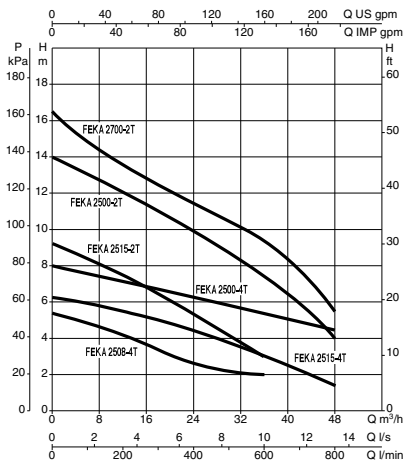
PANELS - ACCESSORIES

PAG. 442

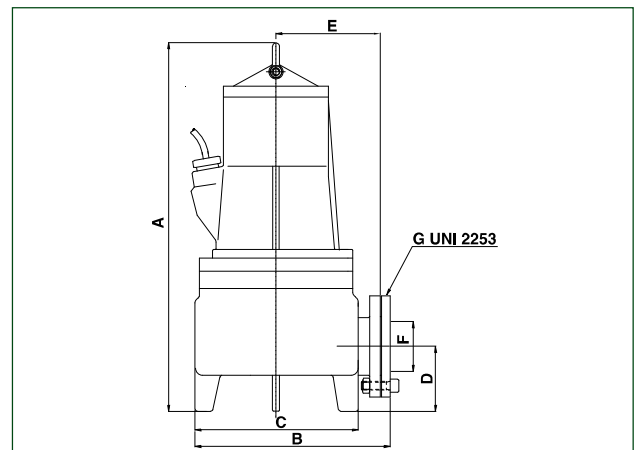
TECHNICAL DATA

MODEL	CODE	ELECTRICAL DATA				HYDRAULIC DATA								DNM	FREE PASSAGE mm	WEIGHT KG		
		VOLTAGE 50 HZ	P1 MAX kW	P2 NOMINAL		In A	Q=m ³ /h	0	3	6	12	18	24				36	48
				kW	HP													
FEKA 2508.4M-NA	60141722	1X230 V~	0,9	0,6	0,8	4,6	H (m)	5,4	5,1	4,8	4,1	3,4	2,6	1	65	62	8	
FEKA 2508.4T	60141723	3X400 V~	0,8	0,6	0,8	1,5		5,4	5,1	4,8	4,1	3,4	2,6	1	65	62	8	
FEKA 2515.4T	60141724	3X400 V~	1,2	1,1	1,5	3,3		6,2	6,1	5,9	5,5	5,0	4,5	3,1	1,4	65	62	8
FEKA 2500.4T	103018080	3X400 V~	2,8	1,4	1,9	4,9		8	7,8	7,6	7,2	6,7	6,3	5,4	4,4	65	62	8
FEKA 2515.2T	60141726	3X400 V~	1,9	1,1	1,5	3,3		9,3	8,8	8,4	7,6	6,5	5,3	3	65	62	8	
FEKA 2500.2T	103018000	3X400 V~	2,8	1,8	2,4	4,7		14	13,5	13	12	11	10	7,5	4	65	62	8
FEKA 2700.2T	103018040	3X400 V~	3	2,18	2,9	5,7		16,5	15,5	14,8	13,6	12,5	11,4	9	5,5	65	62	8

FEKA 2500 - 2700



DIMENSIONS AND WEIGHTS



MODEL	A	B	C	D	E	F	G Ø	FREE PASSAGE mm	Q.TY X PALLET	WEIGHT KG
FEKA 2508.4M-NA	515	260	217	90	145	62	2" ½	62	40	8
FEKA 2508.4T	515	260	217	90	145	62	2" ½	62	40	8
FEKA 2515.4T	515	260	217	90	145	62	2" ½	62	41	8
FEKA 2500.4T	515	260	217	90	145	62	2" ½	62	45	8
FEKA 2515.2T	515	260	217	90	145	62	2" ½	62	41	8
FEKA 2500.2T	515	260	217	90	145	62	2" ½	62	40	8
FEKA 2700.2T	515	260	217	90	145	62	2" ½	62	47	8

ACCESSORIES

MODEL	CODE
THERMAL PROTECTION KIT	on request
WATER LEVEL DETECTOR KIT	on request



FEKA 3000 /3500/ 3700

SEWAGE PUMPS



SEWAGE AND WASTE WATER



VORTEX IMPELLER

Cast iron submersible pumps with the vortex impeller for sewage, suitable for foul waste water with solid contents with the 80 mm as maximum diameter. Technopolymer upper cover with the handle. Nylon vortex impeller with the fiber glass abrasionproof resistance. Motor body, hydraulic section and any impeller in cast iron EN G.JL 200. Double mechanical seals in oil chamber: motor side carbon/alumina, pump side in silicon carbide/silicon carbide. On request : oil chamber with water level detector kit. Dry type asynchronous sealed motor. Rotor mounted on ball bearings to ensure silent running and long life. Thermal and overcurrent protection are responsibility of the user; on request available already installed in the motor windings.

Motor protection rating: IP 68

Insulation class: F

Continuous duty with completely immersed pump. The single-phase version can be equipped with float switch for automatic starting and stopping of the pump. Supplied as standard with **10 mt H07RN-F** power cable.

Operating range: from 12 to 90 m³/h with head up to 29 mt.

Liquid quality requirements: Non-aggressive sewage, drain water

Liquid temperature range: From 0° to + 40°.

Maximum immersion depth: 20 mt

Installation: portable, in vertical position.

Free passage: 80 mm.

PANELS - ACCESSORIES

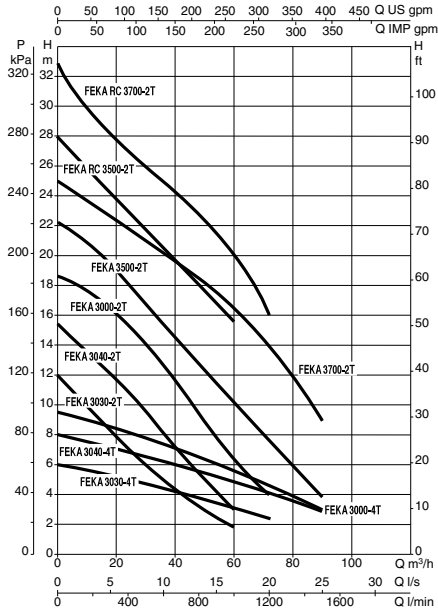
PAG. 442

TECHNICAL DATA

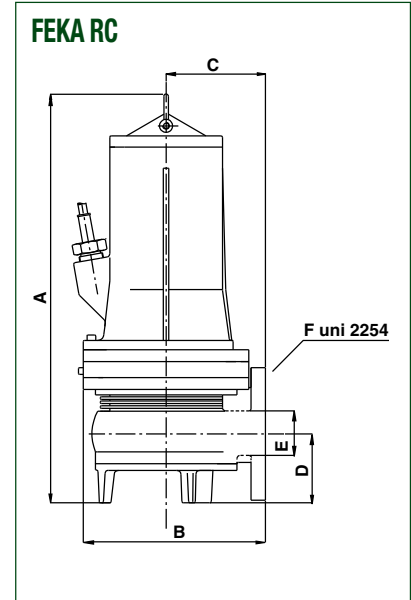
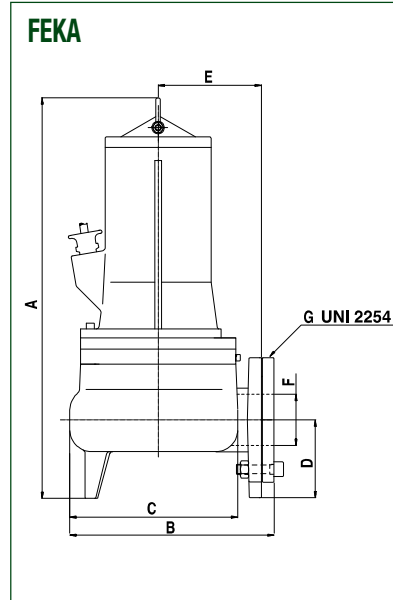
MODEL	CODE	ELECTRICAL DATA					HYDRAULIC DATA											
		VOLTAGE 50 HZ	P1 MAX kW	P2 NOMINAL		In A	Q=m ³ /h	0	12	18	24	36	48	60	72	90		
				kW	HP												Q=l/min	0
FEKA 3030.4T	60141727	3X400 V~	2,5	1,8	2,4	5,6	H (m)	6	5,6	5,3	5,1	4,4	3,8	3,1	2,4			
FEKA 3040.4T	60141728	3X400 V~	2,8	2,8	3,7	6,3		8	7,4	7,1	6,8	6,2	5,6	4,9	4,1	2,8		
FEKA 3000.4T	103018090	3X400 V~	4,6	3,1	4,1	9,5		9,5	8,9	8,5	8,1	7,4	6,5	5,6	4,6	3		
FEKA 3030.2T	60141729	3X400 V~	3	2,3	3,1	5,3		12	9,5	8,3	7	5	3,2	1,8				
FEKA 3040.2T	60141730	3X400 V~	3,5	2,9	3,9	6,1		15,4	13,2	12,0	10,8	8	5,4	3				
FEKA 3000.2T	103018010	3X400 V~	5	3,6	4,8	8,8		18,7	17,5	16,4	15,3	12,6	9,4	6,2	4			
FEKA 3500.2T	103018050	3X400 V~	5	4,2	5,6	9,82		22,3	20,4	19,2	17,9	15,2	12,8	10	7,5	3,8		
FEKA 3700.2T	103018060	3X400 V~	6	5,5	7,3	11		25	23,4	22,7	21,9	20,2	18,5	16,5	14	9		
FEKA RC 3500.2T	60141731	3X400 V~	8	4,5	6	13,5		28	25,5	24,3	23	20,6	18	15,6				
FEKA RC 3700.2T	60141732	3X400 V~	10	5,4	7,2	16,2		32,9	29,4	28,1	26,8	24,8	22,8	20,1	16			

FEKA 3000 /3500/ 3700 SEWAGE PUMPS

FEKA 3000 - 3500 - 3700



DIMENSIONS AND WEIGHTS



MODELLO	A	B	C	D	E	F	G	FREE PASSAGE mm	Q.TY X PALLET	WEIGHT KG
FEKA 3030.4T	620	295	270	125	160	67	Ø 3"	67	8	70
FEKA 3040.4T	620	295	270	125	160	67	Ø 3"	67	8	73
FEKA 3000.4T	620	295	270	125	160	67	Ø 3"	67	8	76
FEKA 3030.2T	620	295	270	125	160	67	Ø 3"	67	8	68
FEKA 3040.2T	620	295	270	125	160	67	Ø 3"	67	8	70
FEKA 3000.2T	620	295	270	125	160	67	Ø 3"	67	8	72
FEKA 3500.2T	620	295	270	125	160	67	Ø 3"	67	8	74
FEKA 3700.2T	620	295	270	125	160	67	Ø 3"	67	8	76
FEKA RC 3500.2T	610	295	145	105	65	DN 80	-	50	8	67
FEKA RC 3700.2T	610	295	145	105	65	DN 80	-	50	8	70

ACCESSORIES

MODEL	CODE
THERMAL PROTECTION KIT	on request
WATER LEVEL DETECTOR KIT	on request

FEKA 4000 /4100/ 4200 SEWAGE PUMPS



SEWAGE AND WASTE WATER



VORTEX IMPELLER

Cast iron submersible pumps with the vortex impeller for sewage, suitable for foul waste water with solid contents with the **83-98 mm** as maximum diameter. Technopolymer upper cover with the handle. Nylon vortex impeller with the fiber glass abrasionproof resistance. Motor body, hydraulic section and any impeller in cast iron EN G.JL 200. Double mechanical seals in oil chamber: motor side carbon/steel, pump side in silicon carbide/silicon carbide. On request : oil chamber with water level detector kit.. Dry type asynchronous sealed motor. Rotor mounted on ball bearings to ensure silent running and long life. Thermal and overcurrent protection are responsibility of the user; on request available already installed in the motor windings.

Motor protection rating: IP 68

Insulation class: F

Continuous duty with completely immersed pump. The single-phase version can be equipped with float switch for automatic starting and stopping of the pump. Supplied as standard with **10 mt H07RN-F** power cable.

Operating range: from 12 to 180 m³/h with head up to 29 mt.

Liquid quality requirements: Non-aggressive sewage, drain water

Liquid temperature range: From 0° to + 40°.

Maximum immersion depth: 20 mt

Installation: portable, in vertical position.

Free passage: 83-98 mm.

PANELS - ACCESSORIES

PAG. 442

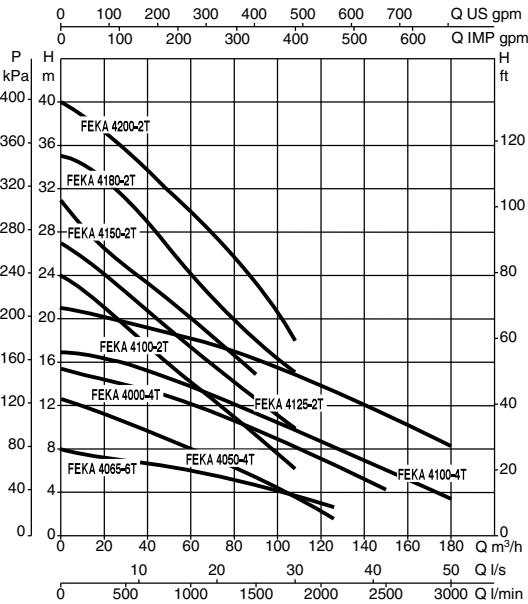
TECHNICAL DATA

MODEL	CODE	ELECTRICAL DATA					HYDRAULIC DATA														
		VOLTAGE 50 HZ	AVV.	P1 MAX KW	P2 NOMINAL		In A	Q=H													
					KW	HP		0	12	18	24	36	48	60	72	90	108	126	150	180	
FEKA 4065.6T D	60141733	3X400 V~	DIRECT	11	4,8	6,4	22,4	8	7,6	7,2	7,1	6,8	6,4	6	5,6	4,7	3,6	2,4			
FEKA 4050. 4T D	60141734	3X400 V~	DIRECT	5	3,8	5,1	9,1	12,7	11,8	11,4	11	9,9	9	8	7	5,4	3,5	1,6			
FEKA 4000.4T D	103018100	3X400 V~	DIRECT	8	6	8	15	15,4	14,9	14,6	14,2	13,7	12,9	12	11,2	9,8	8,2	6,6	4,2		
FEKA 4100.4T S/D	103018510	3X400 V~	Y/Δ	9	7,5	10	16,6	17	16,7	16,4	16	15,3	14,8	13,8	12,9	11,4	9,9	8,2	6,1	3,5	
FEKA 4120. 4T S/D	60141735	3X400 V~	Y/Δ	14	8,75	11,7	25,8	21	20,6	20,3	20	19,5	18,9	18,2	17,6	16,4	14,8	13,1	11	8,2	
FEKA 4100.2T S/D	103018430	3X400 V~	Y/Δ	14	7	9,3	27,4	24	22,4	21,5	20,5	18,3	16,2	14,2	12,3	9,5	6,2				
FEKA 4125.2T S/D	103018470	3X400 V~	Y/Δ	20	8	10,7	33	27	25,3	24,4	23,5	21,3	19,5	17,3	15,3	12,4	9,8				
FEKA 4150.2T S/D	103018560	3X400 V~	Y/Δ	22,8	10,8	14,4	37,8	31	28	26,9	25,8	23,8	22	20	18,2	14,8					
FEKA 4180. 2T S/D	60141736	3X400 V~	Y/Δ	25,3	13,1	17,5	40,8	35	34,2	33,3	32,3	29,8	27	24,4	22	18	14				
FEKA 4200.2T S/D	103018570	3X400 V~	Y/Δ	29,6	15	20	47,6	40	38,5	37,6	36,6	34,3	32	29,8	27,6	23,5	18				

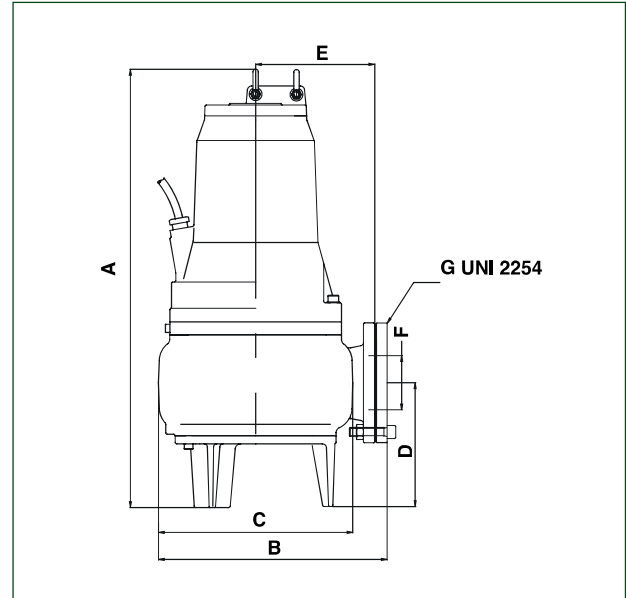
FEKA 4000 /4100/ 4200

SEWAGE PUMPS

FEKA 4000 - 4100 - 4200



DIMENSIONS AND WEIGHTS



MODELLO	A	B	C	D	E	F	G	FREE PASSAGE mm	WEIGHT KG
FEKA 4065.6T D	774	410	366	227	225	100	0.4"	98	143
FEKA 4050.4T D	774	410	366	227	225	100	0.4"	98	138
FEKA 4000.4T D	774	410	366	227	225	100	0.4"	98	149
FEKA 4100.4T S/D	774	410	366	227	225	100	0.4"	98	158
FEKA 4120.4T S/D	774	410	366	227	225	100	0.4"	98	160
FEKA 4100.2T S/D	774	410	366	227	225	100	0.4"	98	142
FEKA 4125.2T S/D	774	410	366	227	225	100	0.4"	98	148
FEKA 4150.2T S/D	874	410	366	227	225	100	0.4"	98	160
FEKA 4180.2T S/D	874	410	366	227	225	100	0.4"	98	196
FEKA 4200.2T S/D	874	410	366	227	225	100	0.4"	98	200

ACCESSORIES

MODEL	CODE
THERMAL PROTECTION KIT	on request
WATER LEVEL DETECTOR KIT	on request

FEKA 6000 /6100/ 6200/ 6300/ 8100/ 8200/ 8300

SEWAGE PUMPS



SEWAGE AND WASTE WATER

Cast iron submersible pumps with the vortex impeller for sewage, suitable for foul waste water with solid contents with the **108 mm** as maximum diameter. Technopolymer upper cover with the handle. Nylon vortex impeller with the fiber glass abrasionproof resistance. Motor body, hydraulic section and any impeller in cast iron EN GJL 200. Double mechanical seals in oil chamber: motor side carbon/steel, pump side in silicon carbide/silicon carbide. Oil chamber with water level detector kit.. Dry type asynchronous sealed motor. Rotor mounted on ball bearings to ensure silent running and long life. In the single-phase version capacitor under the cover. Thermal and overcurrent protection are installed in the motor windings as standard.

Motor protection rating: IP 68

Insulation class: F

Continuous duty with completely immersed pump. The single-phase version can be equipped with float switch for automatic starting and stopping of the pump. Supplied as standard with **10 metre H07RN-F** power cable.

Operating range: from 36 to 780 m³/h with head up to 28 mt.

Liquid quality requirements: Non-aggressive sewage, drain water

Liquid temperature range: From 0° to + 40°.

Maximum immersion depth: 20 mt

Installation: portable, in vertical position.

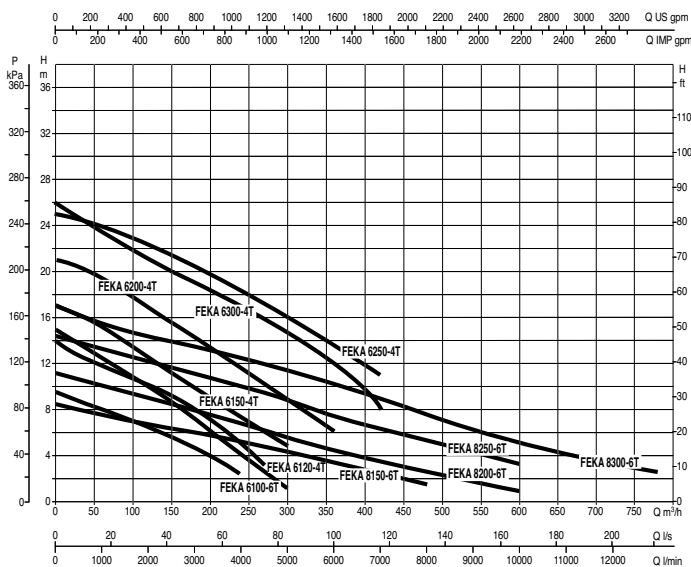
Free passage: 80-108 mm.



TECHNICAL DATA

MODEL	CODE	ELECTRICAL DATA					HYDRAULIC DATA																						
		VOLTAGE 50 HZ	AVV.	P1 MAX KW	P2 NOMIN. KW HP	In A	Q=m³/h	Q=l/min	0	24	36	48	60	72	90	108	126	150	180	210	240	270	300	360	420	480	600	780	
FEKA 6075.6T	103019000	3X400 V~	Y/Δ	6,3	5,2 6,9	13	9,6	9,2	8,5	8,4	8	7,8	7,2	6,8	6,4	5,8	4,8	3,7	2,4										
FEKA 6100.6T	103019010	3X400 V~	Y/Δ	6,4	5,75 7,7	19	15	14,2	13,7	13	12,6	12	11,5	10,9	9,3	8,8	8,5	6,2	3,5	2,8	1,2								
FEKA 6120.4T	103019040	3X400 V~	Y/Δ	12,7	8,5 11,3	23	14	12,8	12,5	12,2	11,7	11,4	11	10,5	10	9,2	8,1	6,7	5,2	3,2									
FEKA 6150.4T	103019080	3X400 V~	Y/Δ	14	10,9 14,5	26	17	16,3	16,1	15,8	15,4	14,9	14	13,3	12,1	11,6	10,1	8,4	7,7	5,9	4,8								
FEKA 6200.4T	103019050	3X400 V~	Y/Δ	15,8	14,9 19,9	30	21	20,3	20	19,5	18,8	18,2	17,4	16,2	15,5	14,1	12,8	11,8	10,2	8,4	4,2								
FEKA 6250.4T	103019060	3X400 V~	Y/Δ	24	18,5 24,7	40	25	24,5	24,2	24	23,5	23	22,5	22	21,5	20,5	19,5	18,5	17	16	14	11							
FEKA 6300.4T	103019070	3X400 V~	Y/Δ	23	21 28	45	26	24	23,8	23,4	23	22	21	20,5	19,8	19	18	16,8	16	14,4	12,3	8							
FEKA 8150.6T	60141737	3X400 V~	Y/Δ	11,2	8,5 11,3	22	8,53	8,05	7,83	7,6	7,45	7,3	7,15	6,9	6,7	6,45	6	5,6	5,24	4,6	4,2	3,34	2,34	1,56					
FEKA 8200.6T	60141738	3X400 V~	Y/Δ	13,4	11,4 15,2	27	11,2	18	10,5	10,3	9,97	9,7	9,5	9,2	8,8	8,46	8	7,4	6,95	6,3	5,6	4,4	3,6	2,67	1,07				
FEKA 8250.6T	60141739	3X400 V~	Y/Δ	17	13,5 18	36	14,4	14	13,7	13,5	13,2	13	12,6	12,34	12	11,52	11,1	10,6	10	9,4	8,7	7,3	6,5	5,5	3,3				
FEKA 8300.6T	60141740	3X400 V~	Y/Δ	22	19,3 25,7	46	17	16,6	16,2	16	15,6	15	14,7	14,5	14,2	13,8	13,5	13	12,4	12	11,4	10	9	7,6	5	2,6			

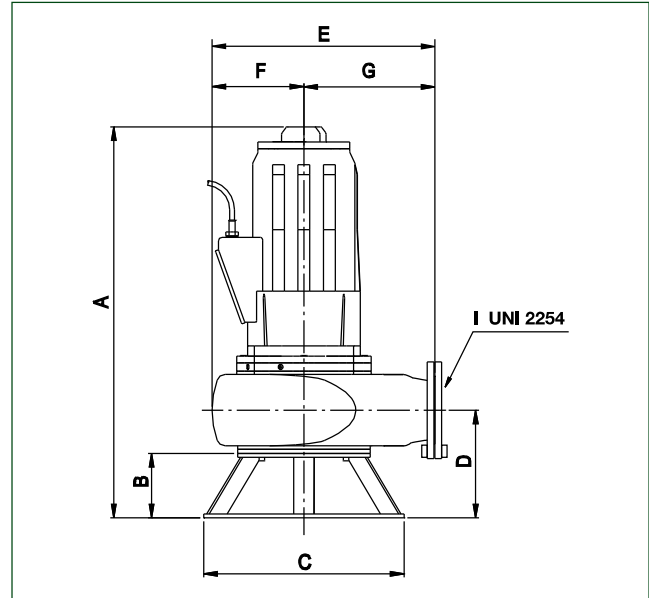
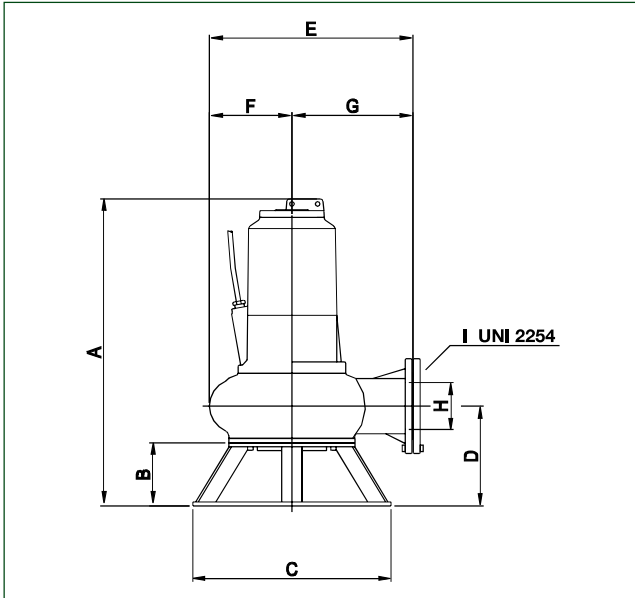
FEKA 6000 - 6100 - 6200 - 6300 - 8100 - 8200 - 8300



FEKA 6000 / 6100/ 6200/ 6300/ 8100/ 8200/ 8300

SEWAGE PUMPS

DIMENSIONS AND WEIGHTS



MODELLO	A	B	C	D	E	F	G	H	I	FREE PASSAGE mm	WEIGHT KG
FEKA 6075.6T	950	190	590	301	602	240	362	150	DN150	95	200
FEKA 6120.4T	950	190	590	301	602	240	362	150	DN150	95	200
FEKA 6150.4T	950	190	590	301	602	240	362	150	DN150	95	212
FEKA 6200.4T	950	190	590	301	602	240	362	150	DN150	95	226
FEKA 6250.4T b	1150	190	590	317	657	271	386	150	DN150	108	330
FEKA 6300.4T	1150	190	590	317	657	271	386	150	DN150	108	340
FEKA 8150. 6T	1200	190	640	317	771	271	500	200	DN200	80	465
FEKA 8200. 6T	1200	190	640	317	771	271	500	200	DN200	80	475
FEKA 8250. 6T	1200	190	640	317	771	271	500	200	DN200	80	490
FEKA 8300. 6T	1200	190	640	317	771	271	500	200	DN200	80	505

PROTECTION AND CONTROL SYSTEMS FOR 1 PUMP

MODEL	CODE	VOLTAGE 50 HZ			STARTING	P2 NOMINAL		MAX CURRENT A	N° CONNECTABLE FLOATS ⁽¹⁾	N° CONNECTABLE PUMPS	TO BE USED FOR PUMP/MODEL
		1x230	3x230	3x400		KW	HP				
MDN	108300030	•			DIRECT	1,1	1,5	12	1	1	FEKA 1400 M
ED1,3M	108320320	•			DIRECT	1	1,36	10	10 2	1	FEKA 600 M-NA / FEKA GL 500 M-NA / GL 650 M-NA - GL 750 M-NA / GL 1000 M-NA - FEKA VS-VX 550 M-NA / VS-VX 750 M-NA / VS-VX 1000 M-NA / VS-VX 1200 M-NA - FEKA 2015 M-NA
ED1T	108320330			•	DIRECT	0,74	1	2,5	10 2	1	FEKA 600 T-NA / FEKA GL 500 T - GL 650 T - FEKA VS-VX 550 T-NA / VS-VX 750 T-NA / 2508.4T D
ED1,5T	108320340			•	DIRECT	1,1	1,5	4	10 2	1	FEKA VS-VX 1000 T-NA / VS-VX 1200 T-NA / 2015 T / 2515.4T D / 2515.2T D
ED3M	108320360	•			Y/Δ	1,1	1,5	16	10 2	1	FEKA 1400 M / 2508.4M-NA
ED 2,5 T	108320350			•	DIRECT	1,8	2,5	6,3	10 2	1	FEKA 2025 T / 2030 T / 2500.4 T / 2500.2 T / 2700.2 T / 3030.4 T D / 3030.2 T D / 1800 T
ED 4 T	108320610			•	DIRECT	3	4	10	10 2	1	FEKA 3040.4 T D / 3000.4 T / 3040.2 T D / 3000.2 T / 4050.4 T D
ED 7,5 T	108320630			•	DIRECT	5,5	7,5	16	10 2	1	FEKA 3000.2 T / 3500.2 T / 3700.2 T / RC3500.2 T / RC 3700.2 T D /
ED 7,5 T S/D	108320840			•	Y/Δ	5,5	7,5	16	10 2	1	FEKA 6075.6 T
ED 8 T	108320640			•	DIRECT	6	8	20	10 2	1	FEKA 4000.4 T
ED 15 T S/D	108320670			•	Y/Δ	11	15	25	10 2	1	FEKA 4100.4 T / 4100.2 T / 4150.2 T / 6120.4 T / 6100.6 T / 4120.4 T / 8150.6 T
ED 20 T S/D	108320680			•	Y/Δ	15	20	32	10 2	1	FEKA 4125.2 T / 4180.2 T / 4200.2 T / 6150.4 T / 6200.4 T / 8200.6 T
ED 25 T S/D	108320690			•	Y/Δ	18,5	25	45	10 2	1	FEKA 6200.4 T / 6250.4 T / 8250.6 T
ED 30 T S/D	108320700			•	Y/Δ	22	30	63	10 2	1	FEKA 6300.4 T / 8300.6 T

⁽¹⁾ The floats are not included, they must be ordered separately.

PROTECTION AND CONTROL SYSTEMS FOR 2 PUMPS

MODEL	CODE	VOLTAGE 50 HZ			STARTING	P2 NOMINAL		MAX CURRENT A	N° CONNECTABLE FLOATS ⁽¹⁾	N° CONNECTABLE PUMPS	TO BE USED FOR PUMP/MODEL
		1x230	3x230	3x400		KW	HP				
E-Box 2D M/T	60114868	•			DIRECT	2x2,2	2x3	2x12	20 3	2	FEKA 600 M-NA / T-NA / FEKA GL 500 M-NA / GL 500 T / FEKA GL 650 M-NA / GL 650 T / GL 750 M-NA / GL 1000 M-NA / VS-VX 550 M-NA / VS 550 T-NA / VS-VX 750 M-NA / VS-VX 750 T-NA / VS-VX 1000 M-NA / VS-VX 1000 T-NA / VS-VX 1200 M-NA / 1200 T-NA / 1800 T / 2015 M-NA / 2015 T / 2025 T / 2030 T / 2508.4 T / 2515.4 T / 2515.2 T / 2500.4 T / 2500.2 T / 2700.2 T / 3000.4 T / 3000.2 T / 3030.4 T / 3030.2 T / 3040.4 T / 3040.2 T / 3500.2 T / RC 3500.2 T / 3700.2 T / 4065.6 T / 4050.4 T
			•			2x3	2x4				
				•		2x5,5	2x7,5				
E-Box 2D 40μF	60114869	•			DIRECT	2x2,2	2x3	2x12	20 3	2	FEKA 1400 M / 2508.4M-NA
E2D2,6M	108320400	•			DIRECT	2x1	2x1,36	2x10	20 3	2	FEKA 600 M-NA / FEKA GL 500 M-NA / GL 650 M-NA / GL 750 M-NA / GL 1000 M-NA / VS-VX 550 M-NA / VS-VX 750 M-NA / VS-VX 1000 M-NA / VS-VX 1200 M-NA / 2015 M-NA
E2D3T	108320450			•	DIRECT	2x1	2x1,5	2x4	20 3	2	FEKA 600 T-NA / VS-VX 1000 T-NA / VS-VX 1200 T-NA / 2015 T / 2515.4 T D / 2515.2 T D / 2025 T / 2030 T / 2500.4 T / 2500.2 T / 2700.2 T / 3030.4 T / 3030.2 T
E2D 5 T	108320460			•	DIRECT	2x1,8	2x2,5	2x6,3	20 3	2	FEKA 1800 T - FEKA 2500.4 - FEKA 2500.2 - FEKA 2700.2 T
E2D 8 T	108320710			•	DIRECT	2x3	2x4	2x10	20 3	2	FEKA 3000.4 T / 3040.4 T / 3040.2 T / 3000.2 T / 4050.4 T
E2D 15 T	108320730			•	DIRECT	2x5,5	2x7,5	2x16	20 3	2	FEKA 3000.2 T / 3500.2 T / 3700.2 T / RC 3500.2 T / 3700.2 T /
E2D 15 T S/D	108320850			•	Y/Δ	2x5,5	2x7,5	2x16	20 3	2	FEKA 6075.6 T
E2D 16 T	108320740			•	DIRECT	2x6	2x8	2x20	20 3	2	FEKA 4000.4 T
E2D 30 T S/D	108320770			•	Y/Δ	2x11	2x15	2x25	20 3	2	FEKA 4100.4 T / 4129.4 T / 4100.2 T / 4150.2 T / 6120.4 T / 6100.6 T / 8150.6 T
E2D 40 T S/D	108320780			•	Y/Δ	2x15	2x20	2x32	20 3	2	FEKA 4125.2 T / 4200.2 T / 6150.4 T / 4180.2 T / 8200.6 T / 6200.4 T
E2D 50 T S/D	108320790			•	Y/Δ	2x18	2x25	2x45	20 3	2	FEKA 6200.4 T / 6250.4 T / 8250.6 T
E2D 60 T S/D	108320800			•	Y/Δ	22 x 22	2x30	2x63	20 3	2	FEKA 6300.4 T / 8300.6 T

⁽¹⁾ The floats are not included, they must be ordered separately.

E-BOX 2 D



- Ideal to steer filling/draining groups
- Working with float switches (max.5)
- Working with level drills (max.5)
- Working with depths sensors (4..20mA)
- Amperometric protection
- Exchange of the pumps starting order (each start/ each 24h)
- Dedicated space in the pumps capacitor's wiring panel

PROTECTION AND CONTROL SYSTEMS FOR 3 PUMPS

MODEL	CODE	VOLTAGE 50 HZ			STARTING	P2 NOMINAL		MAX CURRENT A	N° CONNECTABLE FLOATS ⁽¹⁾	N° CONNECTABLE PUMPS	TO BE USED FOR PUMP/MODEL
		1x230	3x230	3x400		KW	HP				
E3D3,9M	108330400	•			DIRECT	3x1	3x1,36	3x10	3x4	3	FEKA 2015 M-NA
E3D9M	108330410	•			DIRECT	3x1,1	3x1,5	3x16	3x4	3	FEKA 2508.4M-NA
E3D3T	108330440			•	DIRECT	3x0,74	3x1	3x2,5	3x4	3	FEKA 2508.4T
E3D4,5T	108330450			•	DIRECT	3x1,1	3x1,5	3x4	3x4	3	FEKA 2015T / 2515.4T / 2515.2T
E3D 7,5 T	60115082			•	DIRECT	3x1,8	3x2,5	3x6,3	3x4	3	FEKA 2025T / 2030T / 2500.4T / 2500.2T / 2700.2T / 2515.4T / 2515.2T 3030.4T / 3030.2T
E3D 12 T	60115083			•	DIRECT	3x3	3x4	3x10	3x4	3	FEKA 3000.4T / 3040.4T / 3040.2T / 4050.4T / 3000.2T
E3D 22,5 T	60115084			•	DIRECT	3x5,5	3x7,5	3x16	3x4	3	FEKA 3000.2T / 3500.2T / 3700.2T / RC 3500.2T / RC 3700.2T
E3D 22,5 T S/D	60115086			•	Y/Δ	3x5,5	3x7,5	3x16	3x4	3	FEKA 6075.6T
E3D 24 T	60115085			•	DIRECT	3x6	3x8	3x20	3x4	3	FEKA 4000.4T
E3D 45 T S/D	60115087			•	Y/Δ	3x11	3x15	3x25	3x4	3	FEKA 4100.4T / 4100.2T / 4150.2T / 6120.4T / 6100.6T / 4120.4T / 8150.6T
E3D 60 T S/D	60115088			•	Y/Δ	3x15	3x20	3x32	3x4	3	FEKA 4125.2T / 4200.2T / 4180.2T / 6150.4T / 6200.4T / 8200.6T
E3D 75 T S/D	60115089			•	Y/Δ	3x18,5	3x25	3x45	3x4	3	FEKA 6200.4T / 6250.4T / 8250.6T
E3D 90 T S/D	60115090			•	Y/Δ	3x22	3x30	3x63	3x4	3	FEKA 6300.4T / 8300.6T

⁽¹⁾ The floats are not included, they must be ordered separately.

ACCESSORIES - FEKA SEWAGE PUMPS

DESCRIPTION		CODE
FLOAT KEY	5 metres	159260030
	10 metres	159260040
	15 metres	159260050
	20 metres	159260070
FLOAT SWITCH COUNTERWEIGHT - 300 gr		002910501
AS 1 CONTROL - WITH ALARM DEVICE		108310000
PVC NON-RETURN VALVE (BALL) 1 1/4" - THREADED		002130285
BALL NON-RETURN VALVE - 2" 1/2		6VRFL025
BALL NON-RETURN VALVE - DN 50 - PN 10		6VRFL040
BALL NON-RETURN VALVE - DN 65 - PN 10		6VRFL050
BALL NON-RETURN VALVE - DN 80 - PN 10		6VRFL060
BALL NON-RETURN VALVE - DN 100 - PN 10		6VRFL070
BALL NON-RETURN VALVE - DN 150 - PN 10		6VRFL080
BALL NON-RETURN VALVE - DN 200 - PN 10		6VRFL090
BULB-FLOAT - 10 meter		002718000
BULB-FLOAT - 20 meter		002718001
ACUSTIC ALARM - 230 V		002789002
SHACKLE KIT WITH 5 meter CHAIN		141300010
SHACKLE KIT WITH 10 meter CHAIN		141300030
SUPPORT PLATE KIT FOR FEKA 1400-1800 - FEKA VS		147120640
DN 50, DN 80, DN 100, DN 150 PN 16 DN 200 COUNTERFLANGE KIT		on request



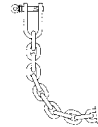
BALL NON-RETURN VALVE



BULB-FLOAT



ACUSTIC ALARM



SHACKLE KIT



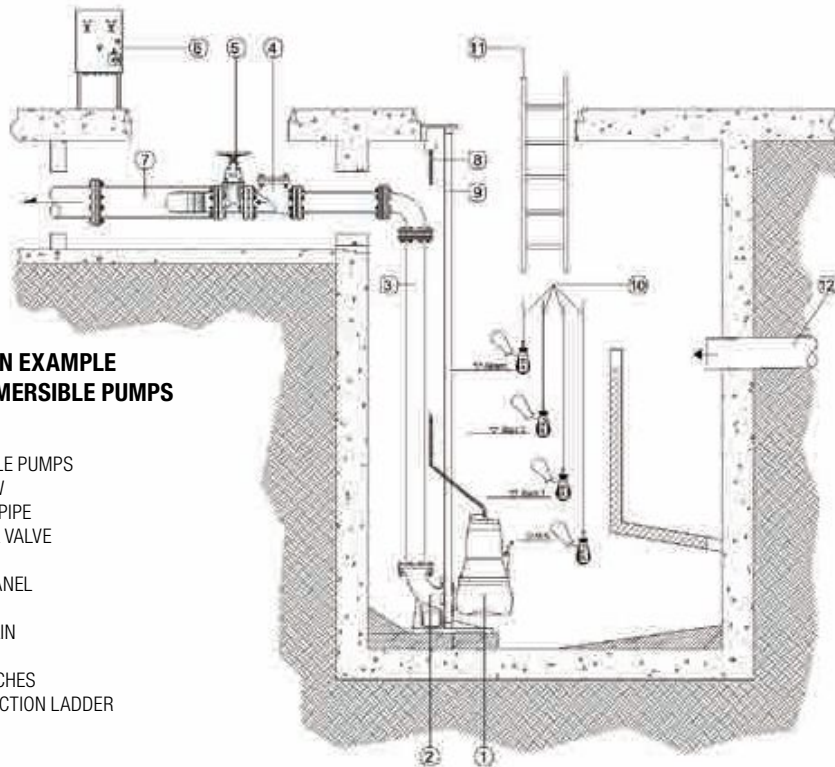
FLOAT SWITCH



COUNTERWEIGHT



CONTROL AS1



INSTALLATION EXAMPLE OF TWO SUBMERSIBLE PUMPS

KEY:

- 1 SUBMERSIBLE PUMPS
- 2 BASE ELBOW
- 3 DISCHARGE PIPE
- 4 BALL CHECK VALVE
- 5 GATE VALVE
- 6 CONTROL PANEL
- 7 MANIFOLD
- 8 LIFTING CHAIN
- 9 DROP PIPE
- 10 LEVEL SWITCHES
- 11 SUMP INSPECTION LADDER
- 12 INTAKE PIPE

STATIONS

DESCRIPTION	CODE
DSD2 - LIFTING DEVICE	109530060
DSD2- LIFTING DEVICE FOR FEKA VS-VX 550-1200	109530080
LIFTING UNIT FOR FEKA 2000 DN 50	60149348
LIFTING UNIT FOR FEKA 2500 - 2700 DN 65	109530120
LIFTING UNIT FOR FEKA 3000 - 3500 - 3700 DN 80	109530130
LIFTING UNIT FOR FEKA 4000 - 4200 DN 100	109530140
LIFTING UNIT FOR FEKA 6075 - 6300 DN 150	109530150
LIFTING UNIT FOR FEKA 8000 DN 200	60141748
ADAPTOR DN 65	109620200
ADAPTOR DN 80	109620210
ADAPTOR DN 100	109620220
ANTIROTATION BRACKET FOR FEKA VS-VX 550-1200	147121490



DSD2

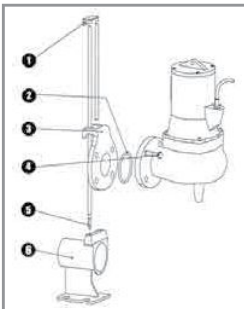


ADAPTOR



ANTIROTATION BRACKET

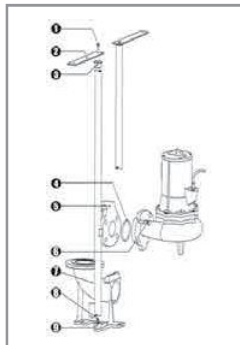
LIFTING UNIT FOR FEKA 2000 - 2"



with:

- Pos. Description
1. Upper clamp for guide tubes
 2. Gasket
 3. Slide
 4. Screw
 5. Fixing hexagon
 6. Threaded fastening foot

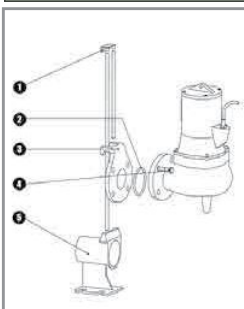
LIFTING UNIT FOR FEKA 3000 - DN 80 / FEKA 4000- DN 100



with:

- Pos. Description
1. Screw
 2. Upper clamp for guide tubes
 3. Cylinder
 4. Gasket
 5. Slide
 6. Screw
 7. Flanged fastening foot
 8. Screw
 9. Lower Cylinder

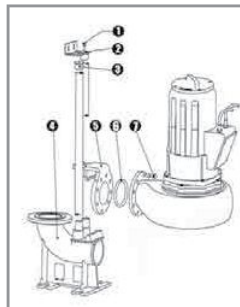
LIFTING UNIT FOR FEKA 2500 - 2 1/2"



with:

- Pos. Description
1. Upper clamp for guide tubes
 2. Gasket
 3. Slide
 4. Screw
 5. Threaded fastening foot

LIFTING UNIT FOR FEKA 4000-DN 100 / FEKA 6000 - DN 150 / FEKA 8000- DN 200



with:

- Pos. Description
1. Screw
 2. Upper clamp for guide tubes
 3. Cylinder
 4. Gasket
 5. Slide
 6. Gasket
 7. Flanged fastening foot