

# GARDENJET - GARDEN INOX - GARDEN COM

## SELF-PRIMING CENTRIFUGAL PUMPS



### DOMESTIC WATER SUPPLY

Portable self-priming centrifugal electropump for gardening, vegetable gardens, washing and hobbies. Equipped with a handle for easy transport and 2-metre power cable type H07 RN-F complete with plug and switch. Compact and easy to install, self-priming so that it can take up water from tanks, wells or streams, tolerating air bubbles and water with small particles of sand.

**Gardenjet:** Cast iron pump body and die-cast aluminium motor support.

**Garden-com:** Technopolymer pump body and die-cast aluminium motor support.

**Garden-inox:** Stainless steel pump body. Die-cast aluminium motor support.

Technopolymer impeller, diffuser and Venturi tube. Stainless steel seal disc and pressure discs. Carbon/ceramic mechanical seal. Induction motor, closed and cooled with external ventilation.

Rotor mounted on oversized greased sealed-for-life ball bearings to ensure silent running and long life.

Built-in thermal and current overload protection and a capacitor permanently in circuit.

Manufactured according to CEI 2-3 and CEI 61-69 standards (EN 60335-2-41).

**Motor protection:** IP 44

**Terminal box protection:** IP 55

**Insulation class:** F

**Standard voltage:** single-phase 220-240 V/50 Hz

**Operating range:** from 0.4 to 5.4 m<sup>3</sup>/h with head up to 54 metres.

**Liquid quality requirements:** clean, free from solids or abrasive substances, non viscous, non aggressive, non crystalline, neutral, close to the characteristics of water.

**Liquid temperature range:** from 0°C to +35°C for domestic use (EN 60335-2-41) from 0°C to +40°C for other uses

**Maximum ambient temperature:** +40°C

**Maximum suction depth:** 8 metres

**Maximum operating pressure:**

8 bar (800 kPa)

6 bar (600 kPa) only for technopolymer models (JETCOM)

**Installation:** fixed or portable in a horizontal position.

Special executions on request: other voltages and/or frequencies.

MULTISTAGE CENTRIFUGAL AND SELF-PRIMING PUMPS

## TECHNICAL DATA

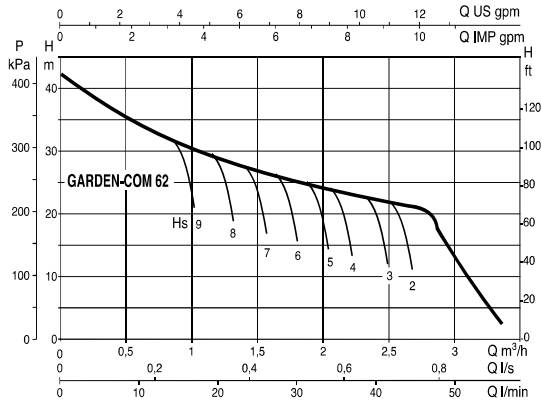
MODEL	CODE	ELECTRICAL DATA							HYDRAULIC DATA															
		VOLTAGE 50 Hz	P1 MAX KW	P2 NOMINAL		In A	CAPACITOR		Q=m <sup>3</sup> /h		Q=l/min													
				KW	HP		µF	Vc	0	0,6	1,2	1,8	2,4	3,0	3,6	4,2	4,8							
GARDENJET 82 M	102652010	1x220-240 V ~	0,85	0,6	0,8	3,8	12,5	450	47	40	34	30	26,2	23,5	20,3									
GARDENJET 102 M	102652020	1x220-240 V ~	1,13	0,75	1	5,1	16	450	53,8	47	41	36,3	32,4	28,8	25,8									
GARDENJET 132 M	102652040	1x220-240 V ~	1,49	1	1,36	6,6	25	450	48,3	45,6	42,8	40	37,6	35	32,5	30	27,2							
GARDENJET-INOX 82 M	102657010	1x220-240 V ~	0,85	0,6	0,8	3,8	12,5	450	47	40	34	30	26,2	23,5	20,3									
GARDENJET-INOX 102 M	102657020	1x220-240 V ~	1,13	0,75	1	5,1	16	450	53,8	47	41	36,3	32,4	28,8	25,8									
GARDENJET-INOX 132 M	102657040	1x220-240 V ~	1,49	1	1,36	6,6	25	450	48,3	45,6	42,8	40	37,6	35	32,5	30	27,2							
GARDENJET-COM 62 M	102682000	1x220-240 V ~	0,72	0,44	0,6	3,12	12,5	450	42,7	35	29,2	25,6	22,9	13										
GARDENJET-COM 82 M	102682010	1x220-240 V ~	0,85	0,6	0,8	3,8	12,5	450	47	40	34	30	26,2	23,5	20,3									
GARDENJET-COM 102 M	102682020	1x220-240 V ~	1,13	0,75	1	5,1	16	450	53,8	47	41	36,3	32,4	28,8	25,8									

# GARDENJET - GARDEN INOX - GARDEN COM

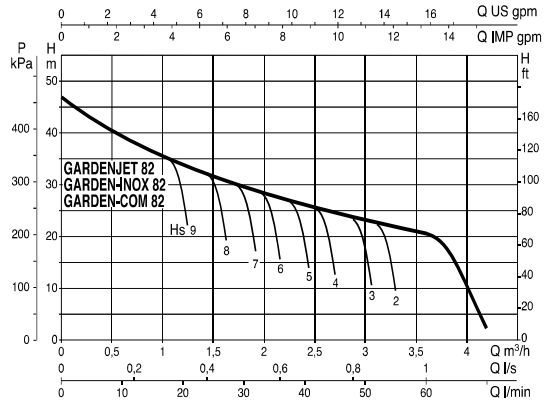
## SELF-PRIMING CENTRIFUGAL PUMPS

MULTISTAGE CENTRIFUGAL  
AND SELF-PRIMING PUMPS

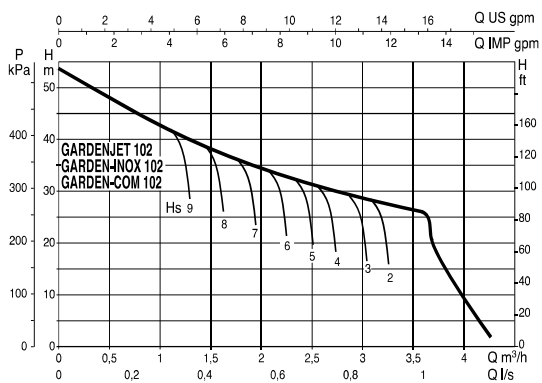
### GARDEN 62



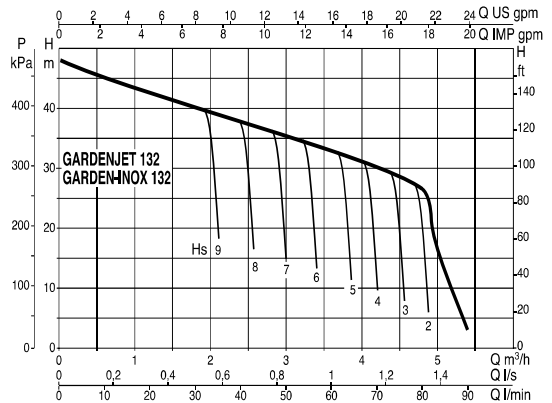
### GARDEN 82



### GARDEN 102



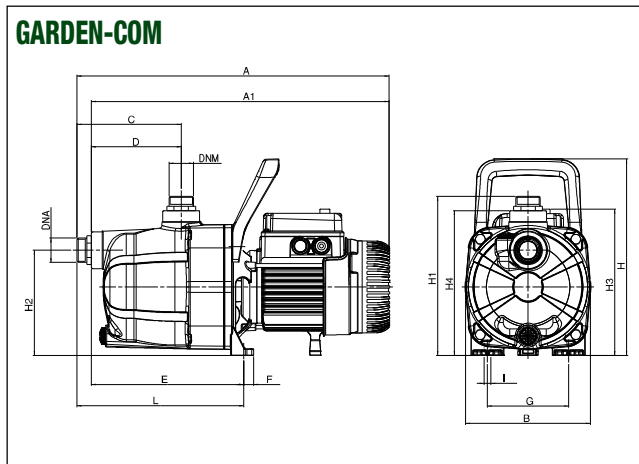
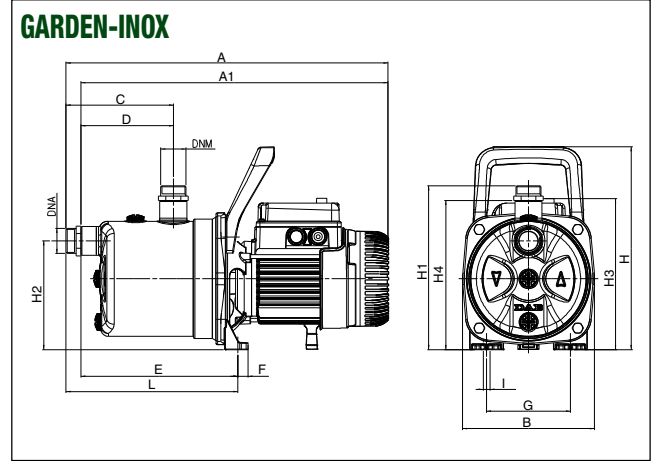
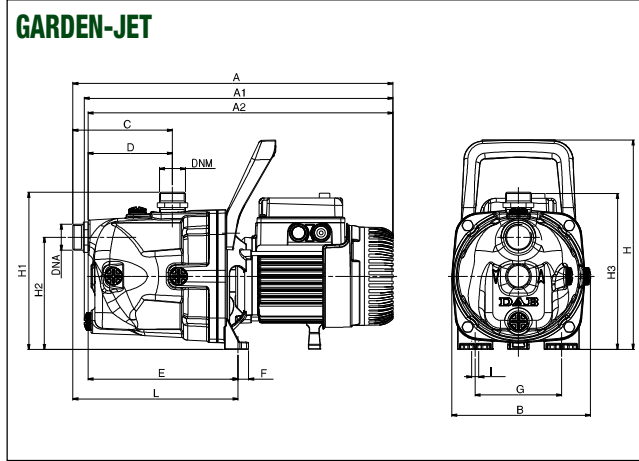
### GARDEN 132



# GARDENJET - GARDEN INOX - GARDEN COM

## SELF-PRIMING CENTRIFUGAL PUMPS

### DIMENSIONS AND WEIGHTS



MODEL	A	A1	A2	B	C	D	E	F	G	H	H1	H2	H3	I Ø	L	DNA GAS	DNM GAS	PACKAGING DIMENSIONS			WEIGHT KG	Q.TY x PALLET
																		L/A	L/B	H		
<b>GARDENJET 82</b>	410	395	390	178	127	108	192	14	111	268	201	144	199	9	212	1"	1"	470	240	240	11	28
<b>GARDENJET 102</b>	429	414	409	178	127	108	192	14	111	268	200	144	209	9	212	1"	1"	470	240	240	12,8	28
<b>GARDENJET 132</b>	429	414	409	178	127	108	192	14	111	268	200	144	209	9	212	1"	1"	470	240	240	13,8	28
<b>GARDEN-INOX 82</b>	424	406	174	142	122	207	14	111	268	216	144	199	197	9	227	1"	1"	470	240	240	10,7	28
<b>GARDEN-INOX 102</b>	444	424	174	142	122	207	14	111	268	216	144	209	197	9	227	1"	1"	470	240	240	12,5	28
<b>GARDEN-INOX 132</b>	444	424	174	142	122	207	14	111	268	216	144	209	197	9	227	1"	1"	470	240	240	13,5	28
<b>GARDEN-COM 62</b>	425	406	170	142	122	208	14	111	268	217	144	199	198	9	227	1"	1"	470	240	240	10,7	28
<b>GARDEN-COM 82</b>	425	406	170	142	122	208	14	111	268	217	144	199	198	9	227	1"	1"	470	240	240	10,7	28
<b>GARDEN-COM 102</b>	444	406	170	142	122	208	14	111	268	217	144	209	203	9	227	1"	1"	470	240	240	12,5	28

MULTISTAGE CENTRIFUGAL  
AND SELF-PRIMING PUMPS