

GARDENJET - GARDEN INOX - GARDEN COM

SELF-PRIMING CENTRIFUGAL PUMPS



GARDENJET



GARDEN-INOX



GARDEN-COM



Portable self-priming centrifugal electropump for gardening, vegetable gardens, washing and hobbies. Equipped with a handle for easy transport and 2-metre power cable type H07 RN-F complete with plug and switch. Compact and easy to install, self-priming so that it can take up water from tanks, wells or streams, tolerating air bubbles and water with small particles of sand.

Gardenjet: Cast iron pump body and die-cast aluminium motor support.

Garden-com: Technopolymer pump body and die-cast aluminium motor support.

Garden-inox: Stainless steel pump body. Die-cast aluminium motor support.

Technopolymer impeller, diffuser and Venturi tube.

Stainless steel seal disc and pressure discs.

Carbon/ceramic mechanical seal.

Induction motor, closed and cooled with external ventilation.

Rotor mounted on oversized greased sealed-for-life ball bearings to ensure silent running and long life.

Built-in thermal and current overload protection and a capacitor permanently in circuit.

Manufactured according to CEI 2-3 and CEI 61-69 standards (EN 60335-2-41).

DOMESTIC WATER SUPPLY

Motor protection: IP 44

Terminal box protection: IP 55

Insulation class: F

Standard voltage: single-phase 220-240 V/50 Hz

Operating range: from 0.4 to 5.4 m³/h with head up to 54 metres.

Liquid quality requirements: clean, free from solids or abrasive substances, non viscous, non aggressive, non crystalline, neutral, close to the characteristics of water.

Liquid temperature range: from 0°C to +35°C for domestic use (EN 60335-2-41) from 0°C to +40°C for other uses

Maximum ambient temperature: +40°C

Maximum suction depth: 8 metres

Maximum operating pressure:

8 bar (800 kPa)

6 bar (600 kPa) only for technopolymer models (JETCOM)

Installation: fixed or portable in a horizontal position.

Special executions on request: other voltages and/or frequencies.

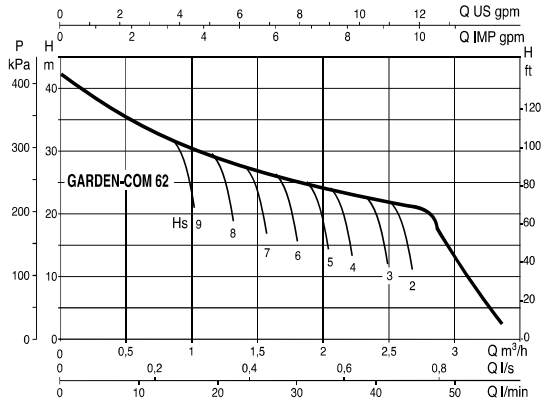
TECHNICAL DATA

MODEL	CODE	ELECTRICAL DATA							HYDRAULIC DATA															
		VOLTAGE 50 Hz	P1 MAX KW	P2 NOMINAL		In A	CAPACITOR		Q=m ³ /h															
				KW	HP		µF	Vc	0	0,6	1,2	1,8	2,4	3,0	3,6	4,2	4,8							
GARDENJET 82 M	102652010	1x220-240 V ~	0,85	0,6	0,8	3,8	12,5	450	47	40	34	30	26,2	23,5	20,3									
GARDENJET 102 M	102652020	1x220-240 V ~	1,13	0,75	1	5,1	16	450	53,8	47	41	36,3	32,4	28,8	25,8									
GARDENJET 132 M	102652040	1x220-240 V ~	1,49	1	1,36	6,6	25	450	48,3	45,6	42,8	40	37,6	35	32,5	30	27,2							
GARDENJET-INOX 82 M	102657010	1x220-240 V ~	0,85	0,6	0,8	3,8	12,5	450	47	40	34	30	26,2	23,5	20,3									
GARDENJET-INOX 102 M	102657020	1x220-240 V ~	1,13	0,75	1	5,1	16	450	53,8	47	41	36,3	32,4	28,8	25,8									
GARDENJET-INOX 132 M	102657040	1x220-240 V ~	1,49	1	1,36	6,6	25	450	48,3	45,6	42,8	40	37,6	35	32,5	30	27,2							
GARDENJET-COM 62 M	102682000	1x220-240 V ~	0,72	0,44	0,6	3,12	12,5	450	42,7	35	29,2	25,6	22,9	13										
GARDENJET-COM 82 M	102682010	1x220-240 V ~	0,85	0,6	0,8	3,8	12,5	450	47	40	34	30	26,2	23,5	20,3									
GARDENJET-COM 102 M	102682020	1x220-240 V ~	1,13	0,75	1	5,1	16	450	53,8	47	41	36,3	32,4	28,8	25,8									

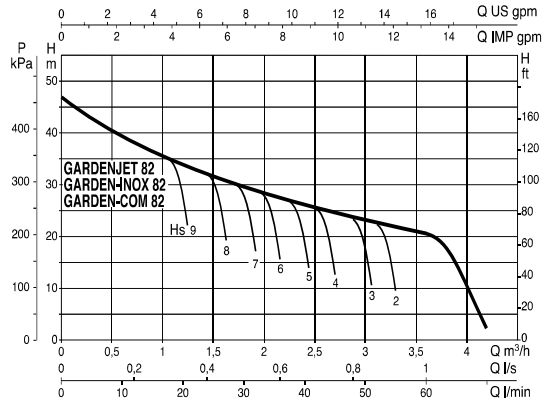
GARDENJET - GARDEN INOX - GARDEN COM

SELF-PRIMING CENTRIFUGAL PUMPS

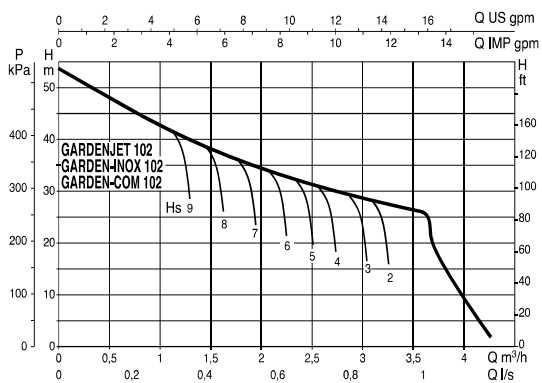
GARDEN 62



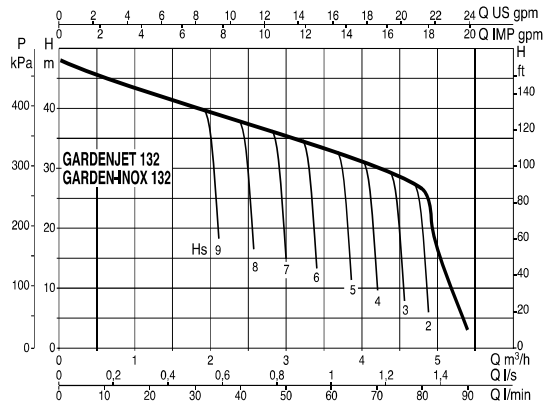
GARDEN 82



GARDEN 102



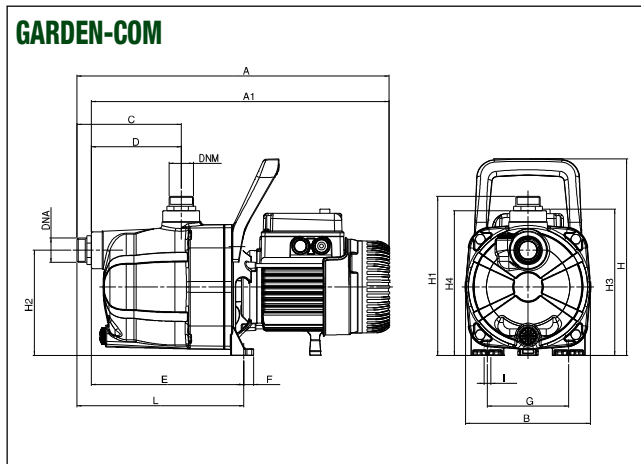
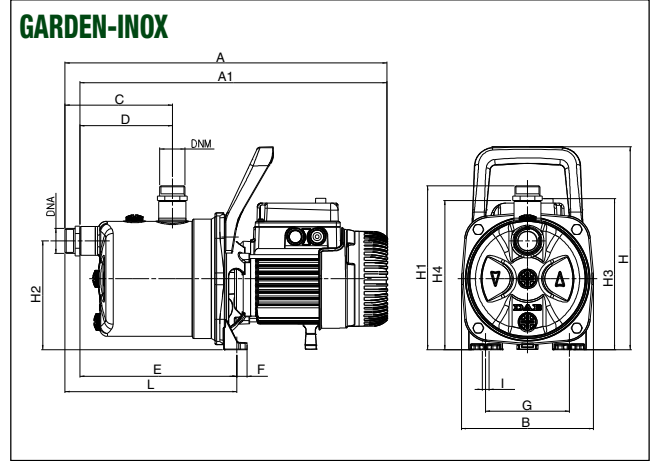
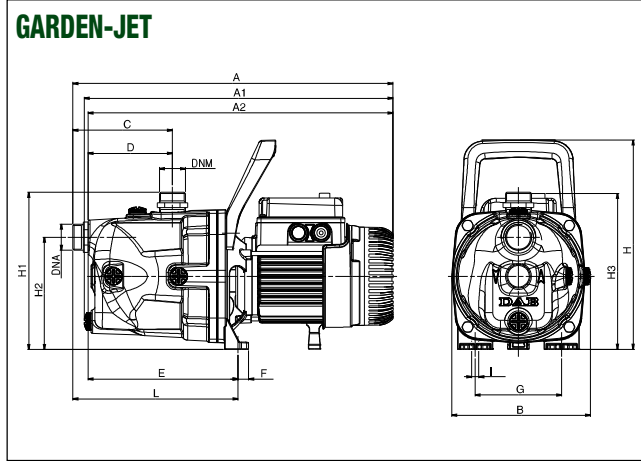
GARDEN 132



GARDENJET - GARDEN INOX - GARDEN COM

SELF-PRIMING CENTRIFUGAL PUMPS

DIMENSIONS AND WEIGHTS



MODEL	A	A1	A2	B	C	D	E	F	G	H	H1	H2	H3	I Ø	L	DNA GAS	DNM GAS	PACKAGING DIMENSIONS			WEIGHT KG	Q.TY x PALLET
																		L/A	L/B	H		
GARDENJET 82	410	395	390	178	127	108	192	14	111	268	201	144	199	9	212	1"	1"	470	240	240	11	28
GARDENJET 102	429	414	409	178	127	108	192	14	111	268	200	144	209	9	212	1"	1"	470	240	240	12,8	28
GARDENJET 132	429	414	409	178	127	108	192	14	111	268	200	144	209	9	212	1"	1"	470	240	240	13,8	28
GARDEN-INOX 82	424	406	174	142	122	207	14	111	268	216	144	199	197	9	227	1"	1"	470	240	240	10,7	28
GARDEN-INOX 102	444	424	174	142	122	207	14	111	268	216	144	209	197	9	227	1"	1"	470	240	240	12,5	28
GARDEN-INOX 132	444	424	174	142	122	207	14	111	268	216	144	209	197	9	227	1"	1"	470	240	240	13,5	28
GARDEN-COM 62	425	406	170	142	122	208	14	111	268	217	144	199	198	9	227	1"	1"	470	240	240	10,7	28
GARDEN-COM 82	425	406	170	142	122	208	14	111	268	217	144	199	198	9	227	1"	1"	470	240	240	10,7	28
GARDEN-COM 102	444	406	170	142	122	208	14	111	268	217	144	209	203	9	227	1"	1"	470	240	240	12,5	28