

IDEA

4" PERIPHERAL SUBMERSIBLE PUMPS

DOMESTIC WATER SUPPLY



SINGLE-PHASE



THREE-PHASE



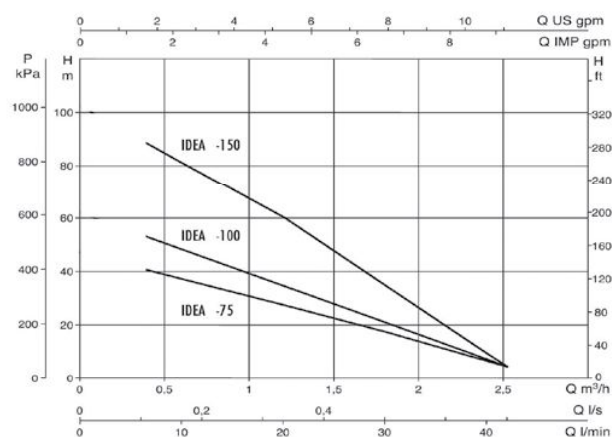
Peripheral borehole pump single impeller (Idea 75 - 100), double impeller (Idea 150) (for 4" wells or larger, capable of providing high heads with limited power. Suitable for water lifting and distribution applications in domestic systems, small agricultural concerns, pressurisation of pressure vessels and DIY uses. Pump body and motor support in cast iron. Brass impeller. Impeller shaft extension and strainer in stainless steel. Submersible asynchronous two-pole motor, made entirely of stainless steel, dry design Canned-type AISI 304L stator. Squirrel cage rotor running on ball bearings, oversized to ensure reliability and durability. Graphite/alumina mechanical seal and lip seal. **In the single phase version the start capacitor is enclosed in a rugged, electrically insulated high-density plastic enclosure.** Overload protection to be provided by the user for the three-phase version.

Protection rating: IP 68
Insulation class:
Liquid temperature range: from 0° C to +35° C
Max. no. of starts: 20/h
Maximum subersion: 20 m.
Installation: in 4" or larger wells, tanks or cisterns, vertically.
Liquid quality requirements: clean, free of solid or abrasive contaminants, non-viscous, chemically neutral, close to the properties of water.
Removable H07RN-F power cable, length 15 m.
Supplied with 15 m of nylon rope.

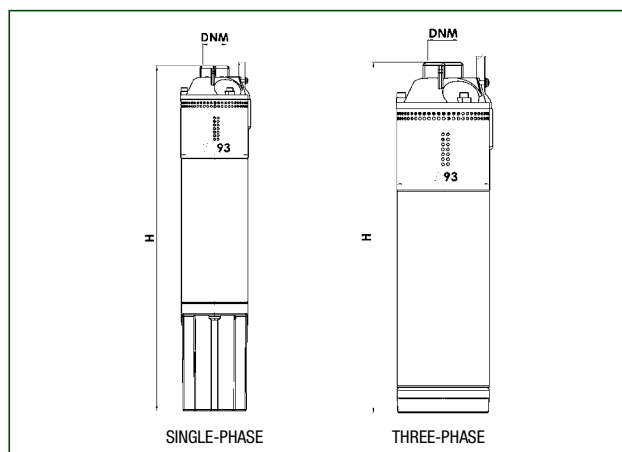
TECHNICAL DATA

MODEL	CODE	ELECTRICAL DATA						HYDRAULIC DATA (n ~ 2800 1/min)									
		VOLTAGE 50 Hz	P1 MAX kW	P2 NOMINAL		In A	CAPACITOR		Q m³/h l/min	0,4	0,6	0,9	1,2	1,5	1,8	2,1	2,4
				kW	HP		µF	Vc		H (m)							
IDEA 75 M	60122482	1x230 V ~	0,8	0,55	0,75	4	16	450	H (m)	7	10	15	20	25	30	35	40
IDEA 100 M	60122483	1x230 V ~	1,1	0,75	1	4,7	20	450		39	37	32	27,6	22,5	17,6	12,2	6,8
IDEA 150 M	60133713	1x230 V ~	2,2	1	1,5	10,5	35	450	H (m)	52	48,3	41,4	34,6	28	21,2	14,4	7,3
IDEA 75 T	60122353	3x400 V ~	0,65	0,55	0,75	1,5	-	-		90	81	70	60	48	35	22	10
IDEA 100T	60122354	3x400 V ~	1,1	0,75	1	2,3	-	-	H (m)	39	37	32	27,6	22,5	17,6	12,2	6,8
IDEA 150T	60140605	3x400 V ~	2,5	1	1,5	4,3	-	-		52	48,3	41,4	34,6	28	21,2	14,4	7,3
									H (m)	90	81	70	60	48	35	22	10

MULTI INOX



DIMENSIONS AND WEIGHTS



MODEL	Ø	H	PACKAGING DIMENSION			DNM GAS	WEIGHT Kg
			L/A	L/B	H		
IDEA 75 M	93	482	630	265	125	1"	10,5
IDEA 100 M	93	512	630	265	125	1"	12
IDEA 150 M	93	602	630	265	125	1"	15
IDEA 75 T	93	353	420	310	118	1"	10,2
IDEA 100 T	93	383	420	310	118	1"	11,7
IDEA 150 T	93	475	630	265	125	1"	14,6