

# K SINGLE IMPELLER

## SINGLE IMPELLER CENTRIFUGAL PUMPS

DOMESTIC, CIVIL AND INDUSTRIAL WATER SUPPLY



K 30/70 M



K 35/1200 T



Single impeller centrifugal pump suitable for domestic, civil, industrial and agricultural installations and for decanting, mixing and irrigating uses. Cast iron pump body and motor support. Technopolymer impeller. Stainless steel driving shaft. Carbon/ceramic mechanical seal. Asynchronous, closed motor, cooled by external ventilation. Built-in thermal and current overload protection and a capacitor permanently on in the single-phase version. For the protection of the three-phase motor it is advisable to use a suitable overload protection complying with the regulations in force.

**Operating range:** from 1,8 to 96 m<sup>3</sup>/h with head up to 62 metres.

**Pumped liquid characteristics:** clean, free from solids or abrasive substances, not viscous, not aggressive, not crystallised, chemically neutral and close to the characteristics of water.

**Liquid temperature range:**

from -10°C to +50°C: for K 20/41, K 30/70, K 30/100, K 36/100, K 12/200, K 36/200, K 40/200. from -15°C to +110°C: for the other pumps.

**Maximum operating range:**

K 20/41, K 30/70, K 30/100, K 36/100, K 12/200, K 14/400: **6 bar (600 kPa)**

K 36/200, K 40/200, K 55/200, K 11/500, K 18/500, K 28/500: **8 bar (800 kPa)**

K 40/400, K 50/400, K 30/800, K 40/800, K 50/800, K 20/1200, K 25/1200, K 35/1200: **10 bar (1000 kPa)**

**Maximum ambient temperature:** +40°C.

**Protection level:** IP 44.

**Terminal board protection level:** IP 55.

**Insulation class:** F.

## K - SINGLE IMPELLER CENTRIFUGAL

| MODEL         | CODE      | ELECTRICAL DATA          |              |                  |      |          |           |     | HYDRAULIC DATA      |      |      |      |      |      |      |      |      |      |      |      |      |      |      |      |      |    |      |    |    |    |  |  |  |  |  |  |
|---------------|-----------|--------------------------|--------------|------------------|------|----------|-----------|-----|---------------------|------|------|------|------|------|------|------|------|------|------|------|------|------|------|------|------|----|------|----|----|----|--|--|--|--|--|--|
|               |           | VOLTAGE<br>50 Hz         | P1 MAX<br>KW | P2 NOMINAL<br>kW | HP   | In<br>A  | CAPACITOR |     | Q=m <sup>3</sup> /h | H    |      |      |      |      |      |      |      |      |      |      |      |      |      |      |      |    |      |    |    |    |  |  |  |  |  |  |
|               |           |                          |              |                  |      |          | μF        | Vc  | Q=l/min             | 0    | 1,8  | 2,4  | 3,6  | 4,8  | 6    | 7,2  | 9    | 9,6  | 10,8 | 12   | 15   | 18   | 24   | 30   | 36   | 42 | 60   | 72 | 84 | 96 |  |  |  |  |  |  |
| K 20/41 M     | 102110004 | 1 x 230 V ~              | 0,65         | 0,37             | 0,5  | 3        | 10        | 450 | 20,3                | 19,4 | 16,9 | 13,6 | 8,3  |      |      |      |      |      |      |      |      |      |      |      |      |    |      |    |    |    |  |  |  |  |  |  |
| K 20/41 T     | 102110014 | 3 x 230 - 400 V ~        | 0,64         | 0,37             | 0,5  | 2,3/1,3  | -         | -   | 20,3                | 19,4 | 16,9 | 13,6 | 8,3  |      |      |      |      |      |      |      |      |      |      |      |      |    |      |    |    |    |  |  |  |  |  |  |
| K 30/70 M     | 102110024 | 1 x 230 V ~              | 1,3          | 0,75             | 1    | 6        | 20        | 450 | 31,8                | 29,5 | 28,9 | 27   | 24,2 | 19,8 | 13,5 |      |      |      |      |      |      |      |      |      |      |    |      |    |    |    |  |  |  |  |  |  |
| K 30/70 T     | 60145269  | 3 x 230 - 400 V ~        | 1,2          | 0,75             | 1    | 4,3/2,5  | -         | -   | 31,8                | 29,5 | 28,9 | 27   | 24,2 | 19,8 | 13,5 |      |      |      |      |      |      |      |      |      |      |    |      |    |    |    |  |  |  |  |  |  |
| K 30/70 M-P** | 102112024 | 1 x 230 V ~              | 1,3          | 0,75             | 1    | 6        | 20        | 450 | 31,8                | 29,5 | 28,9 | 27   | 24,2 | 19,8 | 13,5 |      |      |      |      |      |      |      |      |      |      |    |      |    |    |    |  |  |  |  |  |  |
| K 30/100 M    | 102110042 | 1 x 230 V ~              | 1,6          | 1,1              | 1,5  | 7,1      | 31,5      | 450 | 29,2                | 29   | 28,8 | 28   | 26,8 | 25,3 | 22,5 | 21,5 | 18,5 |      |      |      |      |      |      |      |      |    |      |    |    |    |  |  |  |  |  |  |
| K 30/100 T    | 60145771  | 3 x 230 - 400 V ~        | 1,63         | 1,1              | 1,5  | 5,5/3    | -         | -   | 29,2                | 29   | 28,8 | 28   | 26,8 | 25,3 | 22,5 | 21,5 | 18,5 |      |      |      |      |      |      |      |      |    |      |    |    |    |  |  |  |  |  |  |
| K 36/100 M    | 102110162 | 1 x 230 V ~              | 2,1          | 1,85             | 2,5  | 8,8      | 40        | 450 | 34,9                | 34,8 | 34,6 | 34   | 33   | 32   | 29,8 | 29   | 26,5 |      |      |      |      |      |      |      |      |    |      |    |    |    |  |  |  |  |  |  |
| K 36/100 T    | 60145837  | 3 x 230 - 400 V ~        | 2            | 1,85             | 2,5  | 6,9/4    | -         | -   | 34,9                | 34,8 | 34,6 | 34   | 33   | 32   | 29,8 | 29   | 26,5 |      |      |      |      |      |      |      |      |    |      |    |    |    |  |  |  |  |  |  |
| K 12/200 M    | 103110004 | 1 x 230 V ~              | 1,05         | 0,75             | 1    | 4,6      | 20        | 450 | 18,4                | 17,2 | 16,5 | 16   | 15,3 | 14,7 | 13,5 | 13,1 | 12,3 | 11,4 | 8,9  | 5,5  |      |      |      |      |      |    |      |    |    |    |  |  |  |  |  |  |
| K 12/200 T    | 60145307  | 3 x 230 - 400 V ~        | 1,02         | 0,75             | 1    | 3,6/2,1  | -         | -   | 18,4                | 17,2 | 16,5 | 16   | 15,3 | 14,7 | 13,5 | 13,1 | 12,3 | 11,4 | 8,9  | 5,5  |      |      |      |      |      |    |      |    |    |    |  |  |  |  |  |  |
| K 36/200 T    | 60146040  | 3 x 230 - 400 V ~        | 3            | 2,2              | 3    | 9,5/2    | -         | -   | 36,6                |      |      |      | 36   | 35,5 | 35   | 34   | 33,3 | 32,5 | 31,5 | 28   | 23,5 |      |      |      |      |    |      |    |    |    |  |  |  |  |  |  |
| K 40/200 T    | 60146050  | 3 x 230 - 400 V ~        | 3,5          | 3                | 4    | 11,1-6,4 | -         | -   | 41,3                |      |      |      | 41   | 40,5 | 40   | 39   | 38,8 | 38   | 37   | 33,5 | 29   |      |      |      |      |    |      |    |    |    |  |  |  |  |  |  |
| K 55/200 T    | 60146064  | 3 x 230 - 400 V ~        | 4,9          | 4                | 5,5  | 16,3-9,4 | -         | -   | 54                  |      |      |      | 54   | 53,9 | 53,2 | 53   | 52   | 51,5 | 48,5 | 45   |      |      |      |      |      |    |      |    |    |    |  |  |  |  |  |  |
| K 14/400 M    | 102130402 | 1 x 230 V ~              | 2,1          | 1,85             | 2,5  | 9,5      | 40        | 450 | 19                  |      |      |      |      |      |      |      |      | 18,8 | 18,5 | 18   | 16,3 | 13,8 | 10   |      |      |    |      |    |    |    |  |  |  |  |  |  |
| K 14/400 T    | 60145845  | 3 x 230 - 400 V ~        | 2,1          | 1,85             | 2,5  | 7,4      | -         | -   | 19                  |      |      |      |      |      |      |      |      | 18,8 | 18,5 | 18   | 16,3 | 13,8 | 10   |      |      |    |      |    |    |    |  |  |  |  |  |  |
| K 11/500 T    | 60146044  | 3 x 230 - 400 V ~        | 2,6          | 2,2              | 3    | 9,1-5,8  | -         | -   | 24,5                |      |      |      |      |      |      |      |      | 22,5 | 21,5 | 20   | 16,5 | 11,5 | 6,5  |      |      |    |      |    |    |    |  |  |  |  |  |  |
| K 18/500 T    | 60146057  | 3 x 230 - 400 V ~        | 3,4          | 3                | 4    | 10,2-5,9 | -         | -   | 29,6                |      |      |      |      |      |      |      |      | 29,2 | 28,5 | 27,4 | 24   | 19,5 | 13,8 |      |      |    |      |    |    |    |  |  |  |  |  |  |
| K 28/500 T    | 60146073  | 3 x 230 - 400 V ~        | 4,5          | 4                | 5,5  | 14,7-8,5 | -         | -   | 35                  |      |      |      |      |      |      |      |      | 34,5 | 34   | 32,8 | 29,3 | 25,2 | 20   |      |      |    |      |    |    |    |  |  |  |  |  |  |
| K 40/400 T    | 60146093  | 3 x 400 V ~ <sup>1</sup> | 7            | 5,5              | 7,5  | 11,5     | -         | -   | 50,5                |      |      |      |      |      |      |      |      | 49   | 48   | 45   | 37   | 24   |      |      |      |    |      |    |    |    |  |  |  |  |  |  |
| K 50/400 T    | 60146100  | 3 x 400 V ~ <sup>1</sup> | 9,4          | 7,5              | 10   | 15       | -         | -   | 62                  |      |      |      |      |      |      |      |      | 61   | 60   | 59   | 54,5 | 46   |      |      |      |    |      |    |    |    |  |  |  |  |  |  |
| K 30/800 T    | 60146101  | 3 x 400 V ~ <sup>1</sup> | 8,3          | 7,5              | 10   | 14       | -         | -   | 44                  |      |      |      |      |      |      |      |      |      |      |      | 42   | 40   | 38   | 35   | 21,5 |    |      |    |    |    |  |  |  |  |  |  |
| K 40/800 T    | 60146110  | 3 x 400 V ~ <sup>1</sup> | 11           | 9,2              | 12,5 | 18       | -         | -   | 51,5                |      |      |      |      |      |      |      |      |      |      |      | 50   | 48   | 47   | 43,5 | 32,5 | 21 |      |    |    |    |  |  |  |  |  |  |
| K 50/800 T    | 60146116  | 3 x 400 V ~ <sup>1</sup> | 12,75        | 11               | 15   | 20,5     | -         | -   | 58                  |      |      |      |      |      |      |      |      |      |      |      | 56,5 | 55   | 53,5 | 51   | 41   | 31 |      |    |    |    |  |  |  |  |  |  |
| K 20/1200 T   | 60146102  | 3 x 400 V ~ <sup>1</sup> | 8,9          | 7,5              | 10   | 15,4     | -         | -   | 37,5                |      |      |      |      |      |      |      |      |      |      |      | 36,5 | 36   | 35   | 34   | 30   | 26 | 21   | 15 |    |    |  |  |  |  |  |  |
| K 25/1200 T   | 60146111  | 3 x 400 V ~ <sup>1</sup> | 10           | 9,2              | 12,5 | 18       | -         | -   | 40,7                |      |      |      |      |      |      |      |      |      |      |      | 39   | 38,5 | 38   | 37   | 33,5 | 30 | 25   | 18 |    |    |  |  |  |  |  |  |
| K 35/1200 T   | 60146117  | 3 x 400 V ~ <sup>1</sup> | 11,4         | 11               | 15   | 19,3     | -         | -   | 45                  |      |      |      |      |      |      |      |      |      |      |      |      |      | 43   | 42,5 | 38,5 | 35 | 31,5 | 27 |    |    |  |  |  |  |  |  |

<sup>1</sup> Star (A) starting is possible

\*\* Pump equipped with pressure gauge, pressure switch, power cable with plug and five -way fitting to use for connecting to a tank.

# K SINGLE IMPELLER

## SINGLE IMPELLER CENTRIFUGAL PUMPS



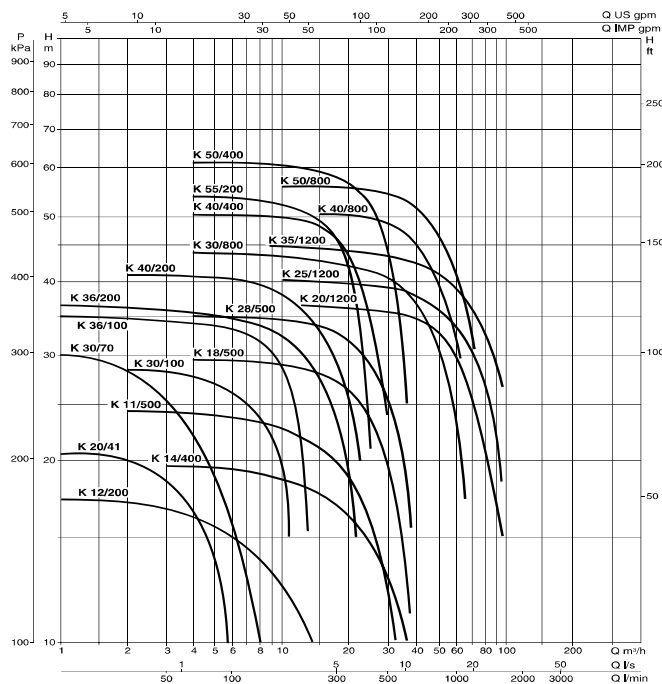
### K - SINGLE IMPELLER CENTRIFUGAL - new single-phase

| MODEL      | CODE     | ELECTRICAL DATA  |              |            |     | HYDRAULIC DATA |          |      |     |      |      |      |      |      |      |      |      |      |      |      |    |
|------------|----------|------------------|--------------|------------|-----|----------------|----------|------|-----|------|------|------|------|------|------|------|------|------|------|------|----|
|            |          | VOLTAGE<br>50 Hz | P1 MAX<br>kW | P2 NOMINAL |     | In<br>A        | Q=m³/h   | 0    | 4,8 | 6    | 7,2  | 9    | 9,6  | 10,8 | 12   | 15   | 18   | 24   | 30   | 36   |    |
|            |          |                  |              | kW         | HP  |                | Q=l/min  | 0    | 80  | 100  | 120  | 150  | 160  | 180  | 200  | 250  | 300  | 400  | 500  | 600  |    |
| K 36/200 M | 60152451 | 1 x 230          | 3,0          | 2,2        | 3   | 13,5           | H<br>(m) | 36,6 | 36  | 35,5 | 35   | 34   | 33,3 | 32,5 | 31,5 | 28   | 23,5 |      |      |      |    |
| K 40/200 M | 60152452 | 1 x 230          | 3,6          | 3          | 4   | 16,0           |          | 41,3 | 41  | 40,5 | 40   | 39   | 38,8 | 38   | 37   | 33,5 | 29   |      |      |      |    |
| K 55/200 M | 60152453 | 1 x 230          | 5,0          | 4          | 5,5 | 21,8           |          | 54   |     | 54   | 53,9 | 53,2 | 53   | 52   | 51,5 | 48,5 | 45   |      |      |      |    |
| K 11/500 M | 60152455 | 1 x 230          | 2,5          | 2,2        | 3   | 11,2           |          | 24,5 |     |      |      |      |      |      | 22,5 | 21,5 | 20   | 16,5 | 11,5 | 6,5  |    |
| K 18/500 M | 60152456 | 1 x 230          | 3,4          | 3          | 4   | 15,2           |          | 29,6 |     |      |      |      |      |      | 29,2 | 28,5 | 27,4 | 24   | 19,5 | 13,8 |    |
| K 28/500 M | 60152457 | 1 x 230          | 4,5          | 4          | 5,5 | 20,0           |          | 35   |     |      |      |      |      |      |      | 34,5 | 34   | 32,8 | 29,3 | 25,2 | 20 |

### PERFORMANCE COMPARISON series K / NKP-G

| MODEL       | CODE     | P2 kW | Q m³/h | H m     |   | MODEL                    | CODE      | P2 kW | Q m³/h   | H m       |
|-------------|----------|-------|--------|---------|---|--------------------------|-----------|-------|----------|-----------|
| K 40/400 T  | 60146093 | 5,5   | 12-30  | 49-25   | → | NKP-G 32-200/190/ 5.5 /2 | 1D1311B9B | 5,5   | 3,6-36   | 46,5-29   |
| K 50/400 T  | 60146100 | 7,5   | 13-34  | 61-36   | → | NKP-G 32-200/210/ 7.5 /2 | 1D1311BAB | 7,5   | 3,6-36   | 58,5-44,5 |
| K 30/800 T  | 60146101 | 7,5   | 18-63  | 43-18   | → | NKP-G 40-160/172/ 7.5 /2 | 1D2211BAB | 7,5   | 6,7-67   | 42-26     |
| K 40/800 T  | 60146110 | 9,2   | 24-66  | 50-27   | → | NKP-G 40-200/210/11/2    | 1D2311BBB | 11    | 6,7-67   | 58-38,8   |
| K 50/800 T  | 60146116 | 11    | 24-78  | 56,7-25 | → | NKP-G 40-200/210/11 /2   | 1D2311BBB | 11    | 6,7-67   | 58-38,8   |
| K 20/1200 T | 60146102 | 7,5   | 30-92  | 36-17   | → | NKP-G 50-160/153/ 7.5 /2 | 1D3211BAB | 7,5   | 9,0-90   | 32-23,5   |
| K 25/1200 T | 60146111 | 9,2   | 32-94  | 39-19   | → | NKP-G 50-160/169/11/2    | 1D3211BBB | 11    | 10,0-100 | 39,5-30,5 |
| K 35/1200 T | 60146117 | 11    | 34-96  | 43-27   | → | NKP-G 50-200/200/15 /2   | 1D3311BCB | 15    | 9,2-92   | 56-40     |

### K SINGLE IMPELLER

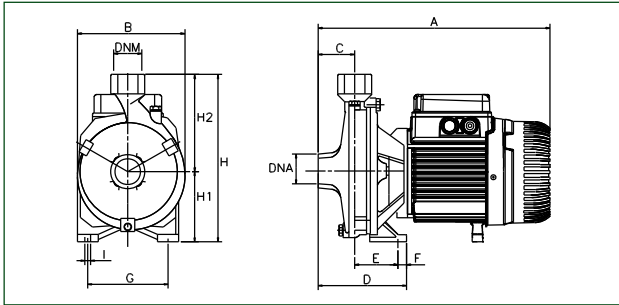


# K SINGLE IMPELLER

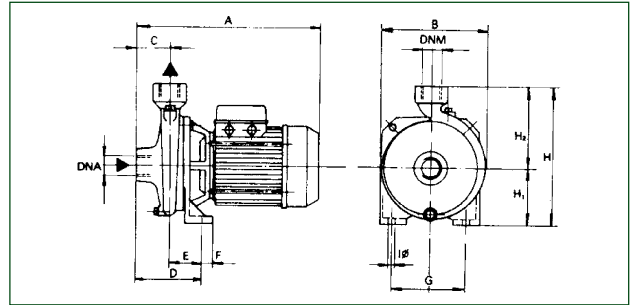
## SINGLE IMPELLER CENTRIFUGAL PUMPS

### DIMENSIONS AND WEIGHTS

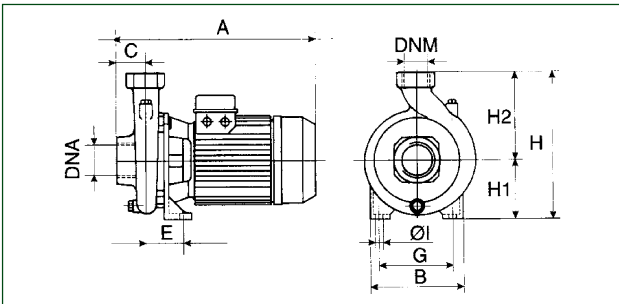
**K 20/41 - 30/70 - 12/200**



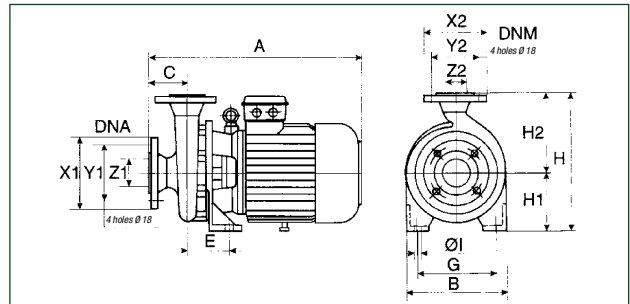
**K 30/100 - 36/100**



**K 36/200 - 40/200 - 55/200**  
**14/400 - 11/500 - 18/500 - 28/500**



**K 40/400 - 50/400 - 30/800 - 40/800**  
**50/800 - 20/1200 - 25/1200 - 35/1200**



CENTRIFUGAL PUMPS

| MODEL      | A   | B   | C   | D   | E   | G   | ØI | H   | H1  | DNA      | DNM      | WEIGHT KG | Q.TY X PALLET |
|------------|-----|-----|-----|-----|-----|-----|----|-----|-----|----------|----------|-----------|---------------|
| K 20/41    | 275 | 160 | 50  | 100 | 50  | 110 | 9  | 205 | 85  | 1" G     | 1" G     | 10        | 39            |
| K 30/70    | 300 | 185 | 50  | 108 | 58  | 140 | 9  | 235 | 100 | 1" G     | 1" G     | 13,9      | 30            |
| K 30/100   | 333 | 200 | 50  | 114 | 64  | 140 | 9  | 255 | 105 | 1 1/2" G | 1" G     | 18,5      | 21            |
| K 36/100   | 333 | 200 | 50  | 114 | 64  | 140 | 9  | 255 | 105 | 1 1/2" G | 1" G     | 23,3      | 18            |
| K 12/200   | 312 | 169 | 45  | 114 | 69  | 110 | 9  | 218 | 85  | 1 1/2" G | 1 1/2" G | 13,7      | 30            |
| K 36/200   | 425 | 250 | 55  | -   | 86  | 175 | 14 | 320 | 135 | 2" G     | 1 1/4" G | 33,1      | 18            |
| K 40/200   | 425 | 250 | 55  | -   | 86  | 175 | 14 | 320 | 135 | 2" G     | 1 1/4" G | 34,9      | 18            |
| K 55/200   | 425 | 250 | 55  | -   | 86  | 175 | 14 | 320 | 135 | 2" G     | 1 1/4" G | 39        | 18            |
| K 14/400 M | 430 | 200 | 62  | -   | 74  | 120 | 11 | 270 | 105 | 2" G     | 2" G     | 24,5      | 18            |
| K 14/400 T | 358 | 200 | 62  | -   | 74  | 120 | 11 | 270 | 105 | 2" G     | 2" G     | 22        | 21            |
| K 11/500   | 440 | 240 | 62  | -   | 100 | 155 | 14 | 312 | 132 | 2 1/2" G | 2" G     | 34,2      | 18            |
| K 18/500   | 440 | 240 | 62  | -   | 100 | 155 | 14 | 312 | 132 | 2 1/2" G | 2" G     | 36,6      | 18            |
| K 28/500   | 440 | 240 | 62  | -   | 100 | 155 | 14 | 312 | 132 | 2 1/2" G | 2" G     | 40,6      | 18            |
| K 40/400   | 560 | 273 | 100 | -   | 110 | 212 | 14 | 360 | 160 | 65       | 50       | 79        | 6             |
| K 50/400   | 560 | 273 | 100 | -   | 110 | 212 | 14 | 360 | 160 | 65       | 50       | 87        | 6             |
| K 30/800   | 600 | 273 | 100 | -   | 110 | 212 | 14 | 385 | 160 | 80       | 65       | 91        | 6             |
| K 40/800   | 600 | 273 | 100 | -   | 110 | 212 | 14 | 385 | 160 | 80       | 65       | 95        | 6             |
| K 50/800   | 600 | 273 | 100 | -   | 110 | 212 | 14 | 385 | 160 | 80       | 65       | 105       | 6             |
| K 20/1200  | 600 | 273 | 100 | -   | 110 | 212 | 14 | 385 | 160 | 80       | 65       | 88        | 6             |
| K 25/1200  | 600 | 273 | 100 | -   | 110 | 212 | 14 | 385 | 160 | 80       | 65       | 94        | 6             |
| K 35/1200  | 600 | 273 | 100 | -   | 110 | 212 | 14 | 385 | 160 | 80       | 65       | 100       | 6             |