



CONDITIONING, IRRIGATION, WATER TRANSFER, PRESSURIZATION, INDUSTRIAL APPLICATION



Enbloc, centrifugal electric pumps with coupling designed for a wide range of applications such as:

- Supplying water.
- The circulation of hot water for central heating.
- The circulation of cold water for air conditioning and refrigerating.
- The transfer of liquids in agriculture, horticulture and industries.
- The implementation of pumping systems.

These can be connected to a two or four poles electric motor with a coupling and mounted on a pressed metal bedplate in accordance with UNI EN 23661.

Single-stage, cast iron spiral body made to DIN-EN 733 (formerly DIN 24255), cast iron seal holder cover and motor support, flanges in accordance with DIN 2533 (DIN 2532 for DN 200).

Impeller in cast iron, encased and dynamically balanced with compensation of the axial thrust by means of balancing holes, operating (on request) with interchangeable consumable rings.

Stainless steel pump shaft supported by two large maintenance-free greased ball bearings, housed inside a special chamber of the support. Standard seal: standardised mechanical seal made to DIN 24960 in carbon/carborundum with O' rings in EPDM. Packing on request with hydraulic lubricating ring and stuffing box in two easily removable parts.

Speed of rotation: 1450 - 2900 1/min.

Operating range: from 1 to 500 m³/h with a head of up to 100 metres.

Pumped liquid: clean, without solid or abrasive substances, not viscous, not aggressive, not crystallised and chemically neutral, close to water characteristics.

Liquid temperature range: from -10°C to +140°C.

Maximum ambient temperature: +40°C.

Maximum working pressure: 16 bar - 1600 kPa (for DN 200 max. 10 bar).

Flanging: PN 16 DIN 2533 - PN 10 DIN 2532 for DN 200

Installation: normally horizontal.

Special versions on request: pumps for liquids other than water.

Packing (can also be fed externally).

Other voltages and/or frequencies.

ACCESSORIES

PAG. 389

KDN - STANDARDISED CENTRIFUGAL PUMPS ON SKID

MODEL		POWER (kW)		CAST IRON IMPELLER	VOLTAGE 50 Hz	FLANGE DIMENSIONS (mm)		BRONZE IMPELLER	WEIGHT Kg
		4 POLES	2 POLES	CODE		DNA	DNM	CODE	
KDN 32-125.1	4 POLES	0,37	-	1D1K11113	3 x 230 - 400 V ~	50	32	1D1K21113	81
		0,55	-	1D1K11123	3 x 230 - 400 V ~	50	32	1D1K21123	83
	2 POLES	-	0,75	1D1K1113A	3 x 230 - 400 V ~	50	32	1D1K2113A	85
		-	1,1	1D1K1114A	3 x 230 - 400 V ~	50	32	1D1K2114A	86
		-	1,5	1D1K1115A	3 x 230 - 400 V ~	50	32	1D1K2115A	93
		-	2,2	1D1K1116A	3 x 230 - 400 V ~	50	32	1D1K2116A	100
		-	3	1D1K1117B	3 x 400 V ~ (1)	50	32	1D1K2117B	102
		-	4	1D1K1118B	3 x 400 V ~ (1)	50	32	1D1K2118B	102
KDN 32-125	4 POLES	0,37	-	1D1111113	3 x 230 - 400 V ~	50	32	1D1121113	81
		0,55	-	1D1111123	3 x 230 - 400 V ~	50	32	1D1121123	83
		0,75	-	1D111113C	3 x 230 - 400 V ~	50	32	1D112113C	84
	2 POLES	-	1,1	1D111114A	3 x 230 - 400 V ~	50	32	1D112114A	85
		-	1,5	1D111115A	3 x 230 - 400 V ~	50	32	1D112115A	86
		-	2,2	1D111116A	3 x 230 - 400 V ~	50	32	1D112116A	93
		-	3	1D111117B	3 x 400 V ~ (1)	50	32	1D112117B	96,3
		-	4	1D111118B	3 x 400 V ~ (1)	50	32	1D112118B	117

(1) Star starting is possible

MODEL		POWER (kW)		CAST IRON IMPELLER	VOLTAGE 50 Hz	FLANGE DIMENSIONS (mm)		BRONZE IMPELLER	WEIGHT Kg
		4 POLES	2 POLES	CODE		DNA	DNM	CODE	
KDN 32-160.1	4 POLES	0,37	-	1D1L11113	3 x 230 - 400 V ~	50	32	1D1L21113	83
		0,55	-	1D1L11123	3 x 230 - 400 V ~	50	32	1D1L21123	86
		0,75	-	1D1L1113C	3 x 230 - 400 V ~	50	32	1D1L2113C	86
	2 POLES	-	1.1	1D1L1114A	3 x 230 - 400 V ~	50	32	1D1L2114A	91
		-	1.5	1D1L1115A	3 x 230 - 400 V ~	50	32	1D1L2115A	94
		-	2.2	1D1L1116A	3 x 230 - 400 V ~	50	32	1D1L2116A	102
		-	3	1D1L1117B	3 x 400 V ~(-)	50	32	1D1L2117B	102
		-	4	1D1L1118B	3 x 400 V ~(-)	50	32	1D1L2118B	104
-	5.5	1D1L1119B	3 x 400 V ~(-)	50	32	1D1L2119B	136		
KDN 32-160	4 POLES	0,37	-	1D1211113	3 x 230 - 400 V ~	50	32	1D1221113	83
		0,55	-	1D1211123	3 x 230 - 400 V ~	50	32	1D1221123	85
		0,75	-	1D121113C	3 x 230 - 400 V ~	50	32	1D122113C	86
	2 POLES	1,1	-	1D121114C	3 x 230 - 400 V ~	50	32	1D122114C	88
		-	2.2	1D121116A	3 x 230 - 400 V ~	50	32	1D122116A	92
		-	3	1D121117B	3 x 400 V ~(-)	50	32	1D122117B	102
		-	4	1D121118B	3 x 400 V ~(-)	50	32	1D122118B	104
		-	5.5	1D121119B	3 x 400 V ~(-)	50	32	1D122119B	136
-	7.5	1D12111AB	3 x 400 V ~(-)	50	32	1D12211AB	139		
KDN 32-200.1	4 POLES	0,37	-	1D1M11113	3 x 230 - 400 V ~	50	32	1D1M21113	87
		0,55	-	1D1M11123	3 x 230 - 400 V ~	50	32	1D1M21123	89
		0,75	-	1D1M1113C	3 x 230 - 400 V ~	50	32	1D1M2113C	101
	2 POLES	1,1	-	1D1M1114C	3 x 230 - 400 V ~	50	32	1D1M2114C	106
		-	2.2	1D1M1116A	3 x 230 - 400 V ~	50	32	1D1M2116A	108
		-	3	1D1M1117B	3 x 400 V ~(-)	50	32	1D1M2117B	140
		-	4	1D1M1118B	3 x 400 V ~(-)	50	32	1D1M2118B	143
		-	5.5	1D1M1119B	3 x 400 V ~(-)	50	32	1D1M2119B	143
-	7.5	1D1M111AB	3 x 400 V ~(-)	50	32	1D1M211AB	166		
KDN 32-200	4 POLES	0,37	-	1D1311113	3 x 230 - 400 V ~	50	32	1D1321113	87
		0,55	-	1D1311123	3 x 230 - 400 V ~	50	32	1D1321123	89
		0,75	-	1D131113C	3 x 230 - 400 V ~	50	32	1D132113C	90
		1,1	-	1D131114C	3 x 230 - 400 V ~	50	32	1D132114C	101
		1,5	-	1D131115C	3 x 230 - 400 V ~	50	32	1D132115C	101
	2 POLES	2,2	-	1D131116C	3 x 230 - 400 V ~	50	32	1D132116C	102
		-	3	1D131117B	3 x 400 V ~(-)	50	32	1D132117B	103
		-	4	1D131118B	3 x 400 V ~(-)	50	32	1D132118B	104
		-	5.5	1D131119B	3 x 400 V ~(-)	50	32	1D132119B	143
		-	7.5	1D13111AB	3 x 400 V ~(-)	50	32	1D13211AB	177
		-	11	1D13111BB	3 x 400 V ~(-)	50	32	1D13211BB	237
		-	15	1D13111CB	3 x 400 V ~(-)	50	32	1D13211CB	248
		KDN 40-125	4 POLES	0,37	-	1D2111113	3 x 230 - 400 V ~	65	40
0,55	-			1D2111123	3 x 230 - 400 V ~	65	40	1D2121123	83
0,75	-			1D211113C	3 x 230 - 400 V ~	65	40	1D212113C	84
2 POLES	1,1		-	1D211114C	3 x 230 - 400 V ~	65	40	1D212114C	86
	-		1.5	1D211115A	3 x 230 - 400 V ~	65	40	1D212115A	86
	-		2.2	1D211116A	3 x 230 - 400 V ~	65	40	1D212116A	91
	-		3	1D211117B	3 x 400 V ~(-)	65	40	1D212117B	91
	-		4	1D211118B	3 x 400 V ~(-)	65	40	1D212118B	102
-	5.5	1D211119B	3 x 400 V ~(-)	65	40	1D212119B	134		
-	7.5	1D21111AB	3 x 400 V ~(-)	65	40	1D21211AB	137		
KDN 40-160	4 POLES	0,37	-	1D2211113	3 x 230 - 400 V ~	65	40	1D2221113	85
		0,55	-	1D2211123	3 x 230 - 400 V ~	65	40	1D2221123	89
		0,75	-	1D221113C	3 x 230 - 400 V ~	65	40	1D222113C	89
		1,1	-	1D221114C	3 x 230 - 400 V ~	65	40	1D222114C	91
		1,5	-	1D221115C	3 x 230 - 400 V ~	65	40	1D222115C	101
	2 POLES	-	3	1D221117B	3 x 400 V ~(-)	65	40	1D222117B	102
		-	4	1D221118B	3 x 400 V ~(-)	65	40	1D222118B	104
		-	5.5	1D221119B	3 x 400 V ~(-)	65	40	1D222119B	160
		-	7.5	1D22111AB	3 x 400 V ~(-)	65	40	1D22211AB	165
		-	11	1D22111BB	3 x 400 V ~(-)	65	40	1D22211BB	173
-	15	1D22111CB	3 x 400 V ~(-)	65	40	1D22211CB	173		

(1) Star starting is possible

MODEL		POWER (kW)		CAST IRON IMPELLER	VOLTAGE 50Hz	FLANGE DIMENSIONS (mm)		BRONZE IMPELLER	WEIGHT Kg
				CODE		DNA	DNM	CODE	
		4 POLES	2 POLES						
KDN 40-200	4 POLES	0.55	-	1D2311123	3 x 230 - 400 V ~	65	40	1D2321123	98
		0.75	-	1D231113C	3 x 230 - 400 V ~	65	40	1D232113C	98
		1.1	-	1D231114C	3 x 230 - 400 V ~	65	40	1D232114C	101
		1.5	-	1D231115C	3 x 230 - 400 V ~	65	40	1D232115C	105
		2.2	-	1D231116C	3 x 230 - 400 V ~	65	40	1D232116C	111
	2 POLES	3	-	1D231117D	3 x 400 V ~(1)	65	40	1D232117D	118
		-	4	1D231118B	3 x 400 V ~(1)	65	40	1D232118B	135
		-	5.5	1D231119B	3 x 400 V ~(1)	65	40	1D232119B	146
		-	7.5	1D23111AB	3 x 400 V ~(1)	65	40	1D23211AB	147
		-	11	1D23111BB	3 x 400 V ~(1)	65	40	1D23211BB	221
KDN 40-250	4 POLES	-	15	1D23111CB	3 x 400 V ~(1)	65	40	1D23211CB	231
		-	18.5	1D23111DB	3 x 400 V ~(1)	65	40	1D23211DB	231
		1.5	-	1D241115C	3 x 230 - 400 V ~	65	40	1D242115C	125
		2.2	-	1D241116C	3 x 230 - 400 V ~	65	40	1D242116C	129
	2 POLES	3	-	1D241117D	3 x 400 V ~(1)	65	40	1D242117D	149
		4	-	1D241118D	3 x 400 V ~(1)	65	40	1D242118D	200
		-	11	1D24111BB	3 x 400 V ~(1)	65	40	1D24211BB	236
		-	15	1D24111CB	3 x 400 V ~(1)	65	40	1D24211CB	278
		-	18.5	1D24111DB	3 x 400 V ~(1)	65	40	1D24211DB	298
		-	22	1D24111EB	3 x 400 V ~(1)	65	40	1D24211EB	320
KDN 50-125	4 POLES	-	30	1D24111FB	3 x 400 V ~(1)	65	40	1D24211FB	320
		0.37	-	1D3111113	3 x 230 - 400 V ~	65	50	1D3121113	87
		0.55	-	1D3111123	3 x 230 - 400 V ~	65	50	1D3121123	90
		0.75	-	1D311113C	3 x 230 - 400 V ~	65	50	1D312113C	91
		1.1	-	1D311114C	3 x 230 - 400 V ~	65	50	1D312114C	93
	2 POLES	1.5	-	1D311115C	3 x 230 - 400 V ~	65	50	1D312115C	101
		-	3	1D311117B	3 x 400 V ~(1)	65	50	1D312117B	105
		-	4	1D311118B	3 x 400 V ~(1)	65	50	1D312118B	109
		-	5.5	1D311119B	3 x 400 V ~(1)	65	50	1D312119B	143
		-	7.5	1D31111AB	3 x 400 V ~(1)	65	50	1D31211AB	143
KDN 50-160	4 POLES	-	11	1D31111BB	3 x 400 V ~(1)	65	50	1D31211BB	143
		0.55	-	1D3211123	3 x 230 - 400 V ~	65	50	1D3221123	97
		0.75	-	1D321113C	3 x 230 - 400 V ~	65	50	1D322113C	98
		1.1	-	1D321114C	3 x 230 - 400 V ~	65	50	1D322114C	100
		1.5	-	1D321115C	3 x 230 - 400 V ~	65	50	1D322115C	103
	2 POLES	2.2	-	1D321116C	3 x 230 - 400 V ~	65	50	1D322116C	107
		3	-	1D321117D	3 x 400 V ~(1)	65	50	1D322117D	110
		-	4	1D321118B	3 x 400 V ~(1)	65	50	1D322118B	132
		-	5.5	1D321119B	3 x 400 V ~(1)	65	50	1D322119B	143
		-	7.5	1D32111AB	3 x 400 V ~(1)	65	50	1D32211AB	177
KDN 50-200	4 POLES	-	11	1D32111BB	3 x 400 V ~(1)	65	50	1D32211BB	188
		-	15	1D32111CB	3 x 400 V ~(1)	65	50	1D32211CB	200
		-	18.5	1D32111DB	3 x 400 V ~(1)	65	50	1D32211DB	202
		0.75	-	1D331113C	3 x 230 - 400 V ~	65	50	1D332113C	104
		1.1	-	1D331114C	3 x 230 - 400 V ~	65	50	1D332114C	107
	2 POLES	1.5	-	1D331115C	3 x 230 - 400 V ~	65	50	1D332115C	114
		2.2	-	1D331116C	3 x 230 - 400 V ~	65	50	1D332116C	123
		3	-	1D331117D	3 x 400 V ~(1)	65	50	1D332117D	122
		4	-	1D331118D	3 x 400 V ~(1)	65	50	1D332118D	122
		-	7.5	1D33111AB	3 x 400 V ~(1)	65	50	1D33211AB	176
2 POLES	-	11	1D33111BB	3 x 400 V ~(1)	65	50	1D33211BB	186	
	-	15	1D33111CB	3 x 400 V ~(1)	65	50	1D33211CB	280	
	-	18.5	1D33111DB	3 x 400 V ~(1)	65	50	1D33211DB	283	
	-	22	1D33111EB	3 x 400 V ~(1)	65	50	1D33211EB	290	
	-	30	1D33111FB	3 x 400 V ~(1)	65	50	1D33211FB	290	

(1) Star starting is possible

MODEL		POWER (kW)		CAST IRON IMPELLER	VOLTAGE 50Hz	FLANGE DIMENSIONS (mm)		BRONZE IMPELLER	WEIGHT Kg
		4 POLES	2 POLES	CODE		DNA	DNM	CODE	
KDN 50-250	4 POLES	2.2	-	1D341116C	3 x 230 - 400 V ~	65	50	1D342116C	135
		3	-	1D341117D	3 x 400 V ~ (1)	65	50	1D342117D	138
		4	-	1D341118D	3 x 400 V ~ (1)	65	50	1D342118D	165
		5.5	-	1D341119D	3 x 400 V ~ (1)	65	50	1D342119D	173
	2 POLES	-	15	1D34111CB	3 x 400 V ~ (1)	65	50	1D34211CB	260
		-	18.5	1D34111DB	3 x 400 V ~ (1)	65	50	1D34211DB	289
		-	22	1D34111EB	3 x 400 V ~ (1)	65	50	1D34211EB	319
		-	30	1D34111FB	3 x 400 V ~ (1)	65	50	1D34211FB	407
		-	37	1D34111GB	3 x 400 V ~ (1)	65	50	1D34211GB	333
-	45	1D34111HB	3 x 400 V ~ (1)	65	50	1D34211HB	374		
KDN 65-125	4 POLES	0.37	-	1D41111I3	3 x 230 - 400 V ~	80	65	1D41211I3	94
		0.55	-	1D41111I23	3 x 230 - 400 V ~	80	65	1D41211I23	97
		0.75	-	1D41111I3C	3 x 230 - 400 V ~	80	65	1D41211I3C	98
		1.1	-	1D41111I4C	3 x 230 - 400 V ~	80	65	1D41211I4C	100
		1.5	-	1D41111I5C	3 x 230 - 400 V ~	80	65	1D41211I5C	103
		2.2	-	1D41111I6C	3 x 230 - 400 V ~	80	65	1D41211I6C	107
	2 POLES	-	4	1D41111I8B	3 x 400 V ~ (1)	80	65	1D41211I8B	132
		-	5.5	1D41111I9B	3 x 400 V ~ (1)	80	65	1D41211I9B	143
		-	7.5	1D41111IAB	3 x 400 V ~ (1)	80	65	1D41211IAB	146
		-	11	1D41111IBB	3 x 400 V ~ (1)	80	65	1D41211IBB	175
		-	15	1D41111ICB	3 x 400 V ~ (1)	80	65	1D41211ICB	180
		-	18.5	1D41111IDB	3 x 400 V ~ (1)	80	65	1D41211IDB	220
KDN 65-160	4 POLES	0.75	-	1D42111I3C	3 x 230 - 400 V ~	80	65	1D42211I3C	101
		1.1	-	1D42111I4C	3 x 230 - 400 V ~	80	65	1D42211I4C	103
		1.5	-	1D42111I5C	3 x 230 - 400 V ~	80	65	1D42211I5C	114
		2.2	-	1D42111I6C	3 x 230 - 400 V ~	80	65	1D42211I6C	114
		3	-	1D42111I7D	3 x 400 V ~ (1)	80	65	1D42211I7D	148
		-	5.5	1D42111I9B	3 x 400 V ~ (1)	80	65	1D42211I9B	149
	2 POLES	-	7.5	1D42111IAB	3 x 400 V ~ (1)	80	65	1D42211IAB	173
		-	11	1D42111IBB	3 x 400 V ~ (1)	80	65	1D42211IBB	183
		-	15	1D42111ICB	3 x 400 V ~ (1)	80	65	1D42211ICB	220
		-	18.5	1D42111IDB	3 x 400 V ~ (1)	80	65	1D42211IDB	220
		-	22	1D42111IEB	3 x 400 V ~ (1)	80	65	1D42211IEB	220
		-	30	1D42111IFB	3 x 400 V ~ (1)	80	65	1D42211IFB	220
KDN 65-200	4 POLES	1.1	-	1D43111I4C	3 x 230 - 400 V ~	80	65	1D43211I4C	
		1.5	-	1D43111I5C	3 x 230 - 400 V ~	80	65	1D43211I5C	
		2.2	-	1D43111I6C	3 x 230 - 400 V ~	80	65	1D43211I6C	
		3	-	1D43111I7D	3 x 400 V ~ (1)	80	65	1D43211I7D	
		4	-	1D43111I8D	3 x 400 V ~ (1)	80	65	1D43211I8D	
		5.5	-	1D43111I9D	3 x 400 V ~ (1)	80	65	1D43211I9D	
	2 POLES	-	11	1D43111IBB	3 x 400 V ~ (1)	80	65	1D43211IBB	
		-	15	1D43111ICB	3 x 400 V ~ (1)	80	65	1D43211ICB	
		-	18.5	1D43111IDB	3 x 400 V ~ (1)	80	65	1D43211IDB	
		-	22	1D43111IEB	3 x 400 V ~ (1)	80	65	1D43211IEB	
		-	30	1D43111IFB	3 x 400 V ~ (1)	80	65	1D43211IFB	
		-	37	1D43111IGB	3 x 400 V ~ (1)	80	65	1D43211IGB	
KDN 65-250	4 POLES	3	-	1D44111I7D	3 x 400 V ~ (1)	80	65	1D44211I7D	
		4	-	1D44111I8D	3 x 400 V ~ (1)	80	65	1D44211I8D	
		5.5	-	1D44111I9D	3 x 400 V ~ (1)	80	65	1D44211I9D	
		7.5	-	1D44111IAD	3 x 400 V ~ (1)	80	65	1D44211IAD	
		11	-	1D44111IBD	3 x 400 V ~ (1)	80	65	1D44211IBD	
	2 POLES	-	22	1D44111IEB	3 x 400 V ~ (1)	80	65	1D44211IEB	
		-	30	1D44111IFB	3 x 400 V ~ (1)	80	65	1D44211IFB	
		-	37	1D44111IGB	3 x 400 V ~ (1)	80	65	1D44211IGB	
		-	45	1D44111IHB	3 x 400 V ~ (1)	80	65	1D44211IHB	
		-	55	1D44111IKB	3 x 400 V ~ (1)	80	65	1D44211IKB	

(1) Star starting is possible

MODEL		POWER (kW)		CAST IRON IMPELLER	VOLTAGE 50 Hz	FLANGE DIMENSIONS (mm)		BRONZE IMPELLER	WEIGHT Kg
		4 POLES	2 POLES	CODE		DNA	DNM	CODE	
KDN 65-315	4 POLES	5,5	-	1D451119D	3 x 400 V ~ (1)	80	65	1D452119D	259
		7,5	-	1D45111AD	3 x 400 V ~ (1)	80	65	1D45211AD	292
		11	-	1D45111BD	3 x 400 V ~ (1)	80	65	1D45211BD	297
		15	-	1D45111CD	3 x 400 V ~ (1)	80	65	1D45211CD	297
		18,5	-	1D45111DD	3 x 400 V ~ (1)	80	65	1D45211DD	322
	2 POLES	-	45	1D45111HB	3 x 400 V ~ (1)	80	65	1D45211HB	580
		-	55	1D45111KB	3 x 400 V ~ (1)	80	65	1D45211KB	702
		-	75	1D45111LB	3 x 400 V ~ (1)	80	65	1D45211LB	820
-	90	-	3 x 400 V ~ (1)	80	65	1D45211MB	930		
-	110	-	3 x 400 V ~ (1)	80	65	1D45211NB	1020		
KDN 80-160	4 POLES	1,1	-	1D521114C	3 x 230 - 400 V ~	100	80	1D522114C	125
		1,5	-	1D521115C	3 x 230 - 400 V ~	100	80	1D522115C	127
		2,2	-	1D521116C	3 x 230 - 400 V ~	100	80	1D522116C	139
		3	-	1D521117D	3 x 400 V ~ (1)	100	80	1D522117D	138
		4	-	1D521118D	3 x 400 V ~ (1)	100	80	1D522118D	138
		5,5	-	1D521119D	3 x 400 V ~ (1)	100	80	1D522119D	163
	2 POLES	-	7,5	1D52111AB	3 x 400 V ~ (1)	100	80	1D52211AB	189
		-	11	1D52111BB	3 x 400 V ~ (1)	100	80	1D52211BB	298
		-	15	1D52111CB	3 x 400 V ~ (1)	100	80	1D52211CB	298
		-	18,5	1D52111DB	3 x 400 V ~ (1)	100	80	1D52211DB	298
		-	22	1D52111EB	3 x 400 V ~ (1)	100	80	1D52211EB	298
		-	30	1D52111FB	3 x 400 V ~ (1)	100	80	1D52211FB	304
		-	37	1D52111GB	3 x 400 V ~ (1)	100	80	1D52211GB	383
		-	-	1D521116C	3 x 400 V ~ (1)	100	80	1D522116C	383
KDN 80-200	4 POLES	1,5	-	1D531115C	3 x 230 - 400 V ~	100	80	1D532115C	161
		2,2	-	1D531116C	3 x 230 - 400 V ~	100	80	1D532116C	166
		3	-	1D531117D	3 x 400 V ~ (1)	100	80	1D532117D	168
		4	-	1D531118D	3 x 400 V ~ (1)	100	80	1D532118D	188
		5,5	-	1D531119D	3 x 400 V ~ (1)	100	80	1D532119D	188
		7,5	-	1D53111AD	3 x 400 V ~ (1)	100	80	1D53211AD	188
		11	-	1D53111BD	3 x 400 V ~ (1)	100	80	1D53211BD	197
	2 POLES	-	18,5	1D53111DB	3 x 400 V ~ (1)	100	80	1D53211DB	239
		-	22	1D53111EB	3 x 400 V ~ (1)	100	80	1D53211EB	275
		-	30	1D53111FB	3 x 400 V ~ (1)	100	80	1D53211FB	432
		-	37	1D53111GB	3 x 400 V ~ (1)	100	80	1D53211GB	455
		-	45	1D53111HB	3 x 400 V ~ (1)	100	80	1D53211HB	548
		-	55	1D53111KB	3 x 400 V ~ (1)	100	80	1D53211KB	494
		-	75	1D53111LB	3 x 400 V ~ (1)	100	80	1D53211LB	609
KDN 80-250	4 POLES	4	-	1D541118D	3 x 400 V ~ (1)	100	80	1D542118D	219
		5,5	-	1D541119D	3 x 400 V ~ (1)	100	80	1D542119D	219
		7,5	-	1D54111AD	3 x 400 V ~ (1)	100	80	1D54211AD	219
		11	-	1D54111BD	3 x 400 V ~ (1)	100	80	1D54211BD	258
		15	-	1D54111CD	3 x 400 V ~ (1)	100	80	1D54211CD	277
	2 POLES	-	37	1D54111GB	3 x 400 V ~ (1)	100	80	1D54211GB	471
		-	45	1D54111HB	3 x 400 V ~ (1)	100	80	1D54211HB	545
		-	55	1D54111KB	3 x 400 V ~ (1)	100	80	1D54211KB	650
		-	75	1D54111LB	3 x 400 V ~ (1)	100	80	1D54211LB	641
		-	90	1D54111MB	3 x 400 V ~ (1)	100	80	1D54211MB	909
KDN 80-315	4 POLES	7,5	-	1D55111AD	3 x 400 V ~ (1)	100	80	1D55211AD	390
		11	-	1D55111BD	3 x 400 V ~ (1)	100	80	1D55211BD	390
		15	-	1D55111CD	3 x 400 V ~ (1)	100	80	1D55211CD	390
		18,5	-	1D55111DD	3 x 400 V ~ (1)	100	80	1D55211DD	409
		22	-	1D55111ED	3 x 400 V ~ (1)	100	80	1D55211ED	348
		30	-	1D55111FD	3 x 400 V ~ (1)	100	80	1D55211FD	384
	2 POLES	-	55	1D55111KB	3 x 400 V ~ (1)	100	80	1D55211KB	720
		-	75	-	3 x 400 V ~ (1)	100	80	1D55211LB	840
		-	90	-	3 x 400 V ~ (1)	100	80	1D55211MB	950
		-	110	-	3 x 400 V ~ (1)	100	80	1D55211NB	1060

(1) Star starting is possible

MODEL		POWER (kW)		CAST IRON IMPELLER	VOLTAGE 50 Hz	FLANGE DIMENSIONS (mm)		BRONZE IMPELLER	WEIGHT Kg
		4 POLES	2 POLES	CODE		DNA	DNM	CODE	
KDN 100-200	4 POLES	3	–	1D631117D	3 x 400 V – (1)	125	100	1D632117D	181
		4	–	1D631118D	3 x 400 V – (1)	125	100	1D632118D	188
		5,5	–	1D631119D	3 x 400 V – (1)	125	100	1D632119D	214
		7,5	–	1D63111AD	3 x 400 V – (1)	125	100	1D63211AD	209
		11	–	1D63111BD	3 x 400 V – (1)	125	100	1D63211BD	307
	2 POLES	15	–	1D63111CD	3 x 400 V – (1)	125	100	1D63211CD	380
		–	30	1D63111FB	3 x 400 V – (1)	125	100	1D63211FB	454
		–	37	1D63111GB	3 x 400 V – (1)	125	100	1D63211GB	402
		–	45	1D63111HB	3 x 400 V – (1)	125	100	1D63211HB	549
		–	55	1D63111KB	3 x 400 V – (1)	125	100	1D63211KB	623
KDN 100-250	4 POLES	–	75	1D63111LB	3 x 400 V – (1)	125	100	1D63211LB	621
		–	90	1D63111MB	3 x 400 V – (1)	125	100	1D63211MB	621
		5,5	–	1D641119D	3 x 400 V – (1)	125	100	1D642119D	241
		7,5	–	1D64111AD	3 x 400 V – (1)	125	100	1D64211AD	250
		11	–	1D64111BD	3 x 400 V – (1)	125	100	1D64211BD	292
	2 POLES	15	–	1D64111CD	3 x 400 V – (1)	125	100	1D64211CD	300
		18,5	–	1D64111DD	3 x 400 V – (1)	125	100	1D64211DD	578
		–	45	1D64111HB	3 x 400 V – (1)	125	100	1D64211HB	696
		–	55	1D64111KB	3 x 400 V – (1)	125	100	1D64211KB	696
		–	75	1D64111LB	3 x 400 V – (1)	125	100	1D64211LB	850
KDN 100-315	4 POLES	–	90	1D64111MB	3 x 400 V – (1)	125	100	1D64211MB	670
		–	110	1D64111NB	3 x 400 V – (1)	125	100	1D64211NB	1120
		11	–	1D65111BD	3 x 400 V – (1)	125	100	1D65211BD	313
		15	–	1D65111CD	3 x 400 V – (1)	125	100	1D65211CD	300
		18,5	–	1D65111DD	3 x 400 V – (1)	125	100	1D65211DD	346
		22	–	1D65111ED	3 x 400 V – (1)	125	100	1D65211ED	372
KDN 125-250	4 POLES	30	–	1D65111FD	3 x 400 V – (1)	125	100	1D65211FD	458
		37	–	1D65111GD	3 x 400 V – (1)	125	100	1D65211GD	518
		7,5	–	1D74111AD	3 x 400 V – (1)	150	125	1D74211AD	310
		11	–	1D74111BD	3 x 400 V – (1)	150	125	1D74211BD	328
		15	–	1D74111CD	3 x 400 V – (1)	150	125	1D74211CD	416
		18,5	–	1D74111DD	3 x 400 V – (1)	150	125	1D74211DD	422
KDN 150-200	4 POLES	22	–	1D74111ED	3 x 400 V – (1)	150	125	1D74211ED	463
		30	–	1D74111FD	3 x 400 V – (1)	150	125	1D74211FD	511
		5,5	–	1D831119D	3 x 400 V – (1)	200	150	1D832119D	454
		7,5	–	1D83111AD	3 x 400 V – (1)	200	150	1D83211AD	454
		11	–	1D83111BD	3 x 400 V – (1)	200	150	1D83211BD	454
		15	–	1D83111CD	3 x 400 V – (1)	200	150	1D83211CD	454
		18,5	–	1D83111DD	3 x 400 V – (1)	200	150	1D83211DD	454

(1) Star starting is possible

TECHNICAL DATA - HYDRAULIC PART

MODEL	CODE	DNA	DNM	WEIGHT Kg
KDN 32-125.1	1D1K11000	50	32	37
KDN 32-125	1D1111000	50	32	36
KDN 32-160.1	1D1L11000	50	32	38
KDN 32-160	1D1211000	50	32	38
KDN 32-200.1	1D1M11000	50	32	46
KDN 32-200	1D1311000	50	32	46
KDN 40-125	1D2111000	65	40	39
KDN 40-160	1D2211000	65	40	41
KDN 40-200	1D2311000	65	40	49
KDN 40-250	1D2411000	65	40	57
KDN 50-125	1D3111000	65	50	42
KDN 50-160	1D3211000	65	50	44
KDN 50-200	1D3311000	65	50	51
KDN 50-250	1D3411000	65	50	59
KDN 65-125	1D4111000	80	65	46
KDN 65-160	1D4211000	80	65	47
KDN 65-200	1D4311000	80	65	66
KDN 65-250	1D4411000	80	65	93
KDN 65-315	1D4511000	80	65	112
KDN 80-160	1D5211000	100	80	55
KDN 80-200	1D5311000	100	80	84
KDN 80-250	1D5411000	100	80	104
KDN 80-315	1D5511000	100	80	122
KDN 100-200	1D6311000	125	100	96
KDN 100-250	1D6411000	125	100	111
KDN 100-315	1D6511000	125	100	126
KDN 125-250	1D7411000	150	125	135
KDN 150-200	1D8311000	200	150	178

CAST IRON IMPELLER



MODEL	CODE	DNA	DNM	WEIGHT Kg.
KDN 32-125.1	1D1K21000	50	32	37
KDN 32-125	1D1121000	50	32	37
KDN 32-160.1	1D1L21000	50	32	38
KDN 32-160	1D1221000	50	32	38
KDN 32-200.1	1D1M21000	50	32	38
KDN 32-200	1D1321000	50	32	48
KDN 40-125	1D2121000	65	40	40
KDN 40-160	1D2221000	65	40	41
KDN 40-200	1D2321000	65	40	52
KDN 40-250	1D2421000	65	40	58
KDN 50-125	1D3121000	65	50	42
KDN 50-160	1D3221000	65	50	44
KDN 50-200	1D3321000	65	50	52
KDN 50-250	1D3421000	65	50	60
KDN 65-125	1D4121000	80	65	47
KDN 65-160	1D4221000	80	65	49
KDN 65-200	1D4321000	80	65	58
KDN 65-250	1D4421000	80	65	99
KDN 65-315	1D4521000	80	65	114
KDN 80-160	1D5221000	100	80	57
KDN 80-200	1D5321000	100	80	82
KDN 80-250	1D5421000	100	80	107
KDN 80-315	1D5521000	100	80	124
KDN 100-200	1D6321000	125	100	98
KDN 100-250	1D6421000	125	100	115
KDN 100-315	1D6521000	125	100	133
KDN 125-250	1D7421000	150	125	133
KDN 150-200	1D8321000	200	150	178

BRONZE IMPELLER



SPECIAL VERSION

MODEL
KDN 32-125.1
KDN 32-125
KDN 32-160.1
KDN 32-160
KDN 32-200.1
KDN 32-200
KDN 40-125
KDN 40-160
KDN 40-200
KDN 40-250
KDN 50-125
KDN 50-160
KDN 50-200
KDN 50-250
KDN 65-125
KDN 65-160
KDN 65-200
KDN 65-250
KDN 65-315
KDN 80-160
KDN 80-200
KDN 80-250
KDN 80-315
KDN 100-200
KDN 100-250
KDN 100-315
KDN 125-250
KDN 150-200

VERSIONS WITH SPECIAL MECHANICAL SEALS

(1) Ref. Technical catalogue

Mechanical seal with rubber bellows:
Silicon carbide / Silicon carbide / EPDM

(2) Ref. Technical catalogue

Mechanical seal with rubber bellows:
Silicon carbide / Silicon carbide / Viton

(3) Ref. Technical catalogue

Mechanical seal with rubber bellows:
Carbon / Silicon carbide / Viton

(4) Ref. Technical catalogue SNE

Stuffing box not cooled

(5) Ref. Technical catalogue SNO

Stuffing box not cooled without hydraulic ring

(6) Ref. Technical catalogue SNF

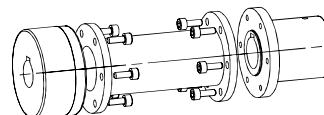
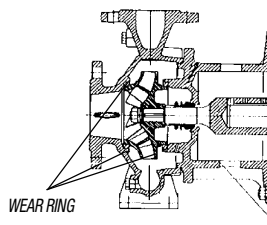
Stuffing box not cooled with external liquid

SPECIAL VERSION

MODEL
KDN 32-125.1
KDN 32-125
KDN 32-160.1
KDN 32-160
KDN 32-200.1
KDN 32-200
KDN 40-125
KDN 40-160
KDN 40-200
KDN 40-250
KDN 50-125
KDN 50-160
KDN 50-200
KDN 50-250
KDN 65-125
KDN 65-160
KDN 65-200
KDN 65-250
KDN 65-315
KDN 80-160
KDN 80-200
KDN 80-250
KDN 80-315
KDN 100-200
KDN 100-250
KDN 100-315
KDN 125-250
KDN 150-200

CATAPHORESIS COATING FOR COMPONENTS IN CONTACT WITH LIQUID

SPECIAL VERSION



MODEL
KDN 32-125.1
KDN 32-125
KDN 32-160.1
KDN 32-160
KDN 32-200.1
KDN 32-200
KDN 40-125
KDN 40-160
KDN 40-200
KDN 40-250
KDN 50-125
KDN 50-160
KDN 50-200
KDN 50-250
KDN 65/125
KDN 65-160
KDN 65-200
KDN 65-250
KDN 65-315
KDN 80-160
KDN 80-200
KDN 80-250
KDN 80-315
KDN 100-200
KDN 100-250
KDN 100-315
KDN 125-250
KDN 150-200

WITH WEAR RING

MODEL
KDN 32-125.1
KDN 32-125
KDN 32-160.1
KDN 32-160
KDN 32-200.1
KDN 32-200
KDN 40-125
KDN 40-160
KDN 40-200
KDN 40-250
KDN 50-125
KDN 50-160
KDN 50-200
KDN 50-250
KDN 65/125
KDN 65-160
KDN 65-200
KDN 65-250
KDN 65-315
KDN 80-160
KDN 80-200
KDN 80-250
KDN 80-315
KDN 100-200
KDN 100-250
KDN 100-315
KDN 125-250
KDN 150-200

WITH SPACER COUPLING

ACCESSORIES - COUNTERFLANGES KIT

MODEL	CODE	COUNTERFLANGES AND SEALS	THREADED	MATERIAL	PN
DN 32	109620520	1 x DN 32 + 1 x DN 50	THREADED	STEEL	16
DN 40	109620530	1 x DN 40 + 1 x DN 65	THREADED	STEEL	16
DN 50	109620540	1 x DN 50 + 1 x DN 65	THREADED	STEEL	16
DN 65	109620550	1 x DN 65 + 1 x DN 80	THREADED	STEEL	16
DN 32	109620400	1 x DN 32 + 1 x DN 50	TO BE WELDED	STEEL	16
DN 40	109620410	1 x DN 40 + 1 x DN 65	TO BE WELDED	STEEL	16
DN 50	109620420	1 x DN 50 + 1 x DN 65	TO BE WELDED	STEEL	16
DN 50/1	60115139	1 x DN 50 + 1 x DN 80	TO BE WELDED	STEEL	16
DN 65	109620430	1 x DN 65 + 1 x DN 80	TO BE WELDED	STEEL	16
DN 65/1	60115140	1 x DN 65 + 1 x DN 100	TO BE WELDED	STEEL	16
DN 80	109620440	1 x DN 80 + 1 x DN 100	TO BE WELDED	STEEL	16
DN 80/1	60115141	1 x DN 80 + 1 x DN 125	TO BE WELDED	STEEL	16
DN 100	109620450	1 x DN 100 + 1 x DN 125	TO BE WELDED	STEEL	16
DN 125	109620460	1 x DN 125 + 1 x DN 150	TO BE WELDED	STEEL	16
DN 150	109620470	1 x DN 150 + 1 x DN 200	TO BE WELDED	STEEL	16 (10 x DN 200)
DN 200	109620480	1 x DN 200 + 1 x DN 250	TO BE WELDED	STEEL	16 (10 x DN 200)
DN 250/1	109620500	1 x DN 200 + 1 x DN 250	TO BE WELDED	STEEL	16
DN 300	109620510	1 x DN 300 + 1 x DN 350	TO BE WELDED	STEEL	16
DN 350	60115142	1 x DN 350 + 1 x DN 400	TO BE WELDED	STEEL	16



The kit comprises suction and delivery counterflanges with the relative seals, screws and nuts required by the size of the pump to which it refers.

KDN OVERSIZE

STANDARDISED CENTRIFUGAL PUMPS



**CONDITIONING, IRRIGATION, WATER TRANSFER,
PRESSURIZATION, INDUSTRIAL APPLICATION**



Single-stage centrifugal pump body with axial suction port, radial discharge port and horizontal shaft components. The KDN pumps have dimensions and nominal performances according to EN 733 (10 bar) but are designed for 16 bar operation wherever the shaft seal type allows it.

The suction and discharge flanges are according to EN 7005 PN 10 or 16. All pumps are dynamically balanced according to ISO 1940 class 6.3 and impellers are hydraulically balanced. Pump and motor are mounted on a common baseplate in accordance with EN 23 661 in all-welded steel. Oversizes have profile base frames. Due to the pump design the complete bearing assembly including impeller and shaft seal can be dismantled without removing the pump body from the pipe system (back-pull-out design).

Asynchronous, closed and cooled with external ventilation, 2, 4 or 6 poles motors.

Electrical protection: in compliance with the EEC 89/336 ELECTROMAGNETIC COMPATIBILITY directive and subsequent amendments, EEC 73/23 LOW VOLTAGE directive and subsequent amendments and CEI 2-3 standards.

Flow: Max. 2200 m³/h

Head: Max. 158 m

Liquid temperature: from -25°C to +140°C

Operating pressure: Max. 16 bar

Motor construction: B3

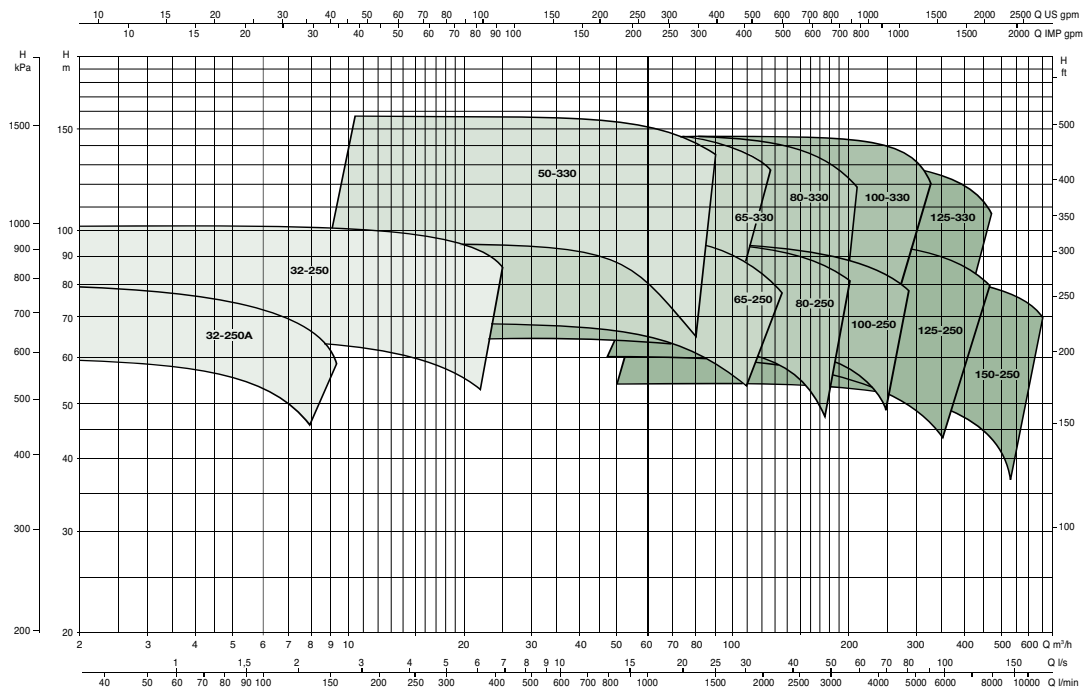
Protection level: IP 55

Insulation class: F

Supply voltage: Three-phase 230-400V 50 Hz up to 2.2 kW included 400V Δ 50 Hz over 2.2 Kw

Special versions on request: other voltages and/or frequencies

KDN OVERSIZE - 2 POLES - STANDARDISED CENTRIFUGAL PUMPS ON SKID

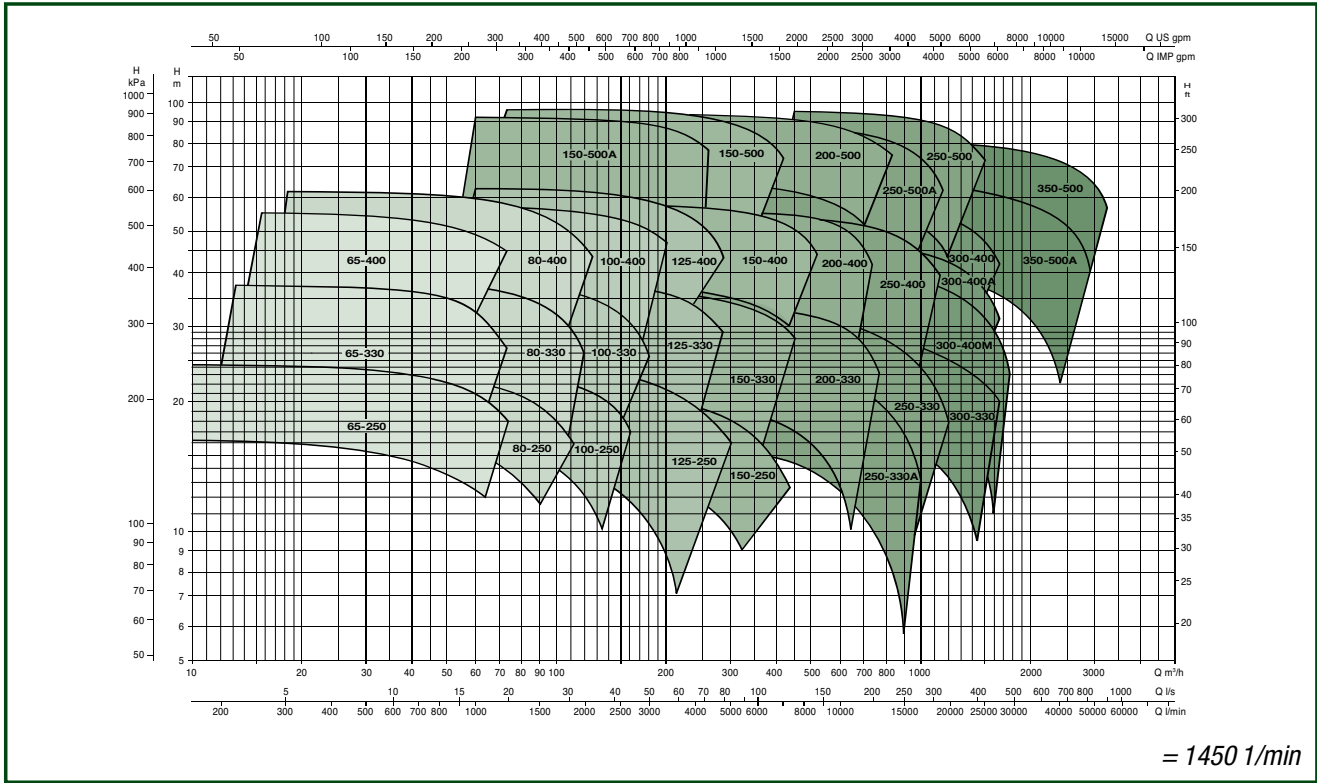


= 2900 l/min

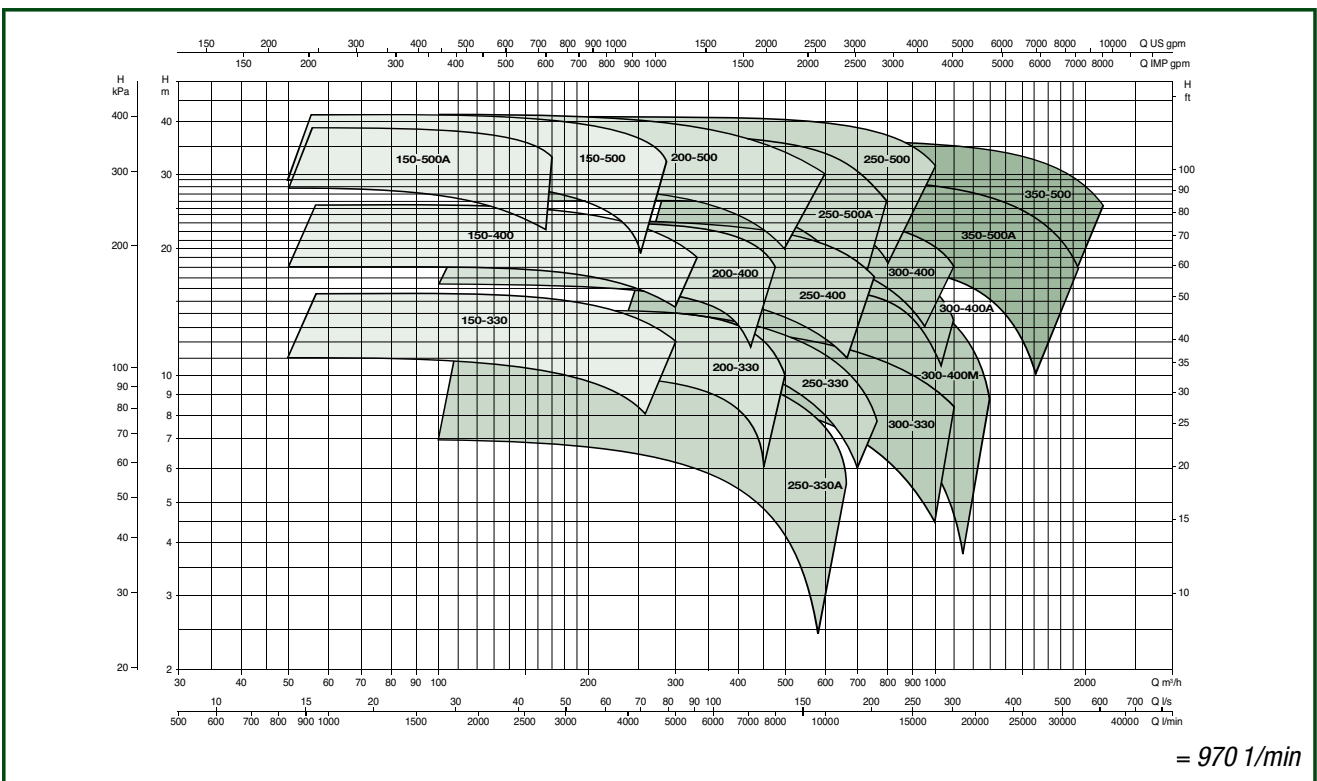
KDN OVERSIZE

STANDARDISED CENTRIFUGAL PUMPS

KDN OVERSIZE - 4 POLES - STANDARDISED CENTRIFUGAL PUMPS ON SKID



KDN OVERSIZE - 6 POLES - STANDARDISED CENTRIFUGAL PUMPS ON SKID

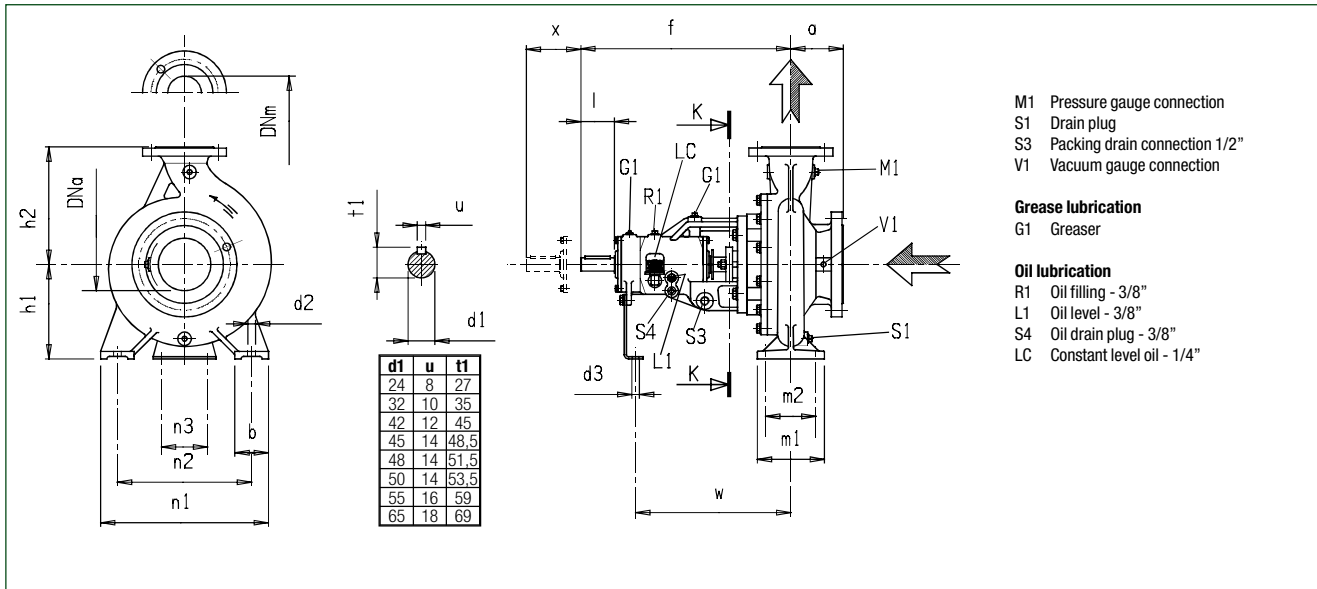


CENTRIFUGAL PUMPS

KDN OVERSIZE

STANDARDISED CENTRIFUGAL PUMPS

DIMENSIONS AND WEIGHTS



- M1 Pressure gauge connection
- S1 Drain plug
- S3 Packing drain connection 1/2"
- V1 Vacuum gauge connection

Grease lubrication

- G1 Greaser

Oil lubrication

- R1 Oil filling - 3/8"
- L1 Oil level - 3/8"
- S4 Oil drain plug - 3/8"
- LC Constant level oil - 1/4"

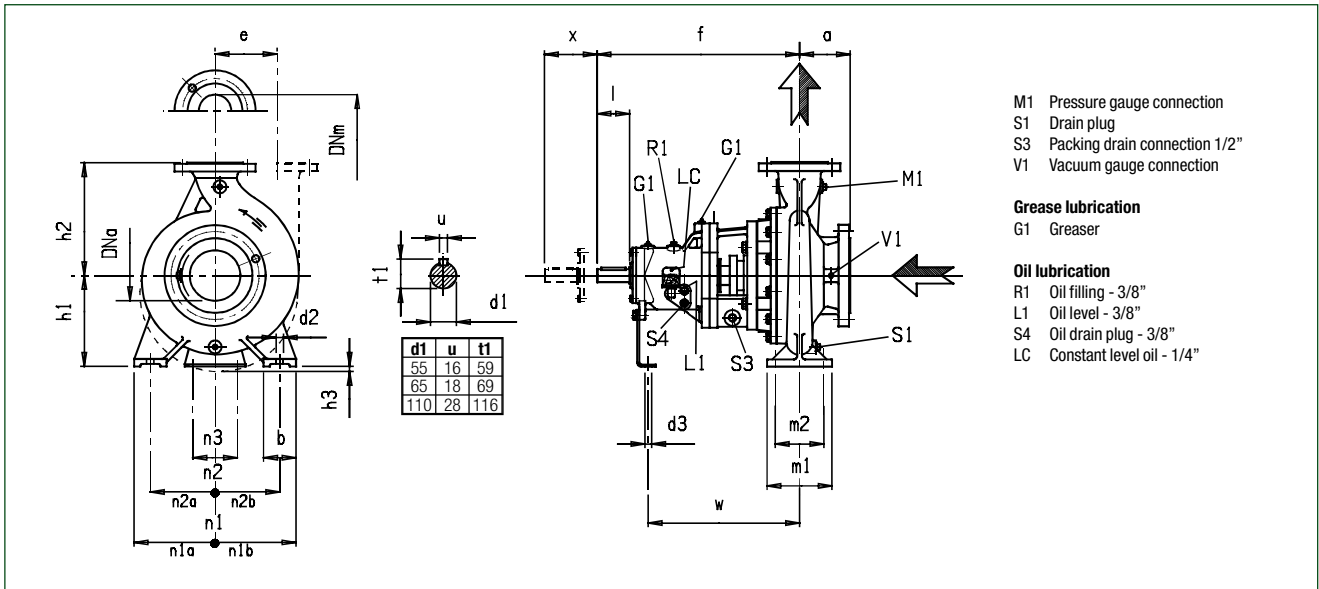
MODEL	Supp.	DNa	DNm	a	f	h1	h2	b	m1	m2	n1	n2	d2	n3	d3	w	x	d1	l	M1	S1	V1	Kg
KDN 32-250	2	50	32	100	500	180	225	65	125	95	320	250	14	110	14	370	100	32	80	3/8"	1/4"	1/4"	78
KDN 32-250A	2	50	32	100	500	180	225	65	125	95	320	250	14	110	14	370	100	32	80	3/8"	1/4"	1/4"	78
KDN 50-330	2	80	50	125	500	225	280	65	125	95	345	280	14	110	14	370	100	32	80	3/8"	1/4"	1/4"	116
KDN 65-250	2	100	65	125	500	200	250	80	160	120	360	280	18	110	14	370	140	32	80	3/8"	1/4"	1/4"	88
KDN 65-330	3	100	65	125	530	225	280	80	160	120	400	315	18	110	14	370	140	42	110	3/8"	1/4"	1/4"	152
KDN 65-400	3	100	65	125	530	280	355	80	160	120	435	355	18	110	14	370	140	42	110	3/8"	1/4"	1/4"	180
KDN 80-250	2	125	80	125	500	225	280	80	160	120	400	315	18	110	14	370	140	32	80	3/8"	3/8"	3/8"	100
KDN 80-330	3	125	80	125	530	250	315	80	160	120	400	315	18	110	14	370	140	42	110	3/8"	3/8"	3/8"	155
KDN 80-400	3	125	80	125	530	280	355	80	160	120	435	365	18	110	14	370	140	42	110	3/8"	3/8"	3/8"	185
KDN 100-250	3	125	100	140	530	225	280	80	160	120	400	315	18	110	14	370	140	42	110	3/8"	3/8"	3/8"	130
KDN 100-330	3	125	100	140	530	250	315	80	160	120	400	315	18	110	14	370	140	42	110	3/8"	3/8"	3/8"	170
KDN 100-400	3	125	100	140	530	280	355	100	200	150	500	400	23	110	14	370	140	42	110	1/2"	3/8"	3/8"	200
KDN 125-250	3	150	125	140	530	250	355	80	160	120	400	315	18	110	14	370	140	42	110	1/2"	3/8"	3/8"	140
KDN 125-330	3	150	125	140	530	280	355	100	200	150	500	400	23	110	14	370	140	42	110	1/2"	3/8"	3/8"	190
KDN 125-400	3	150	125	140	530	315	400	100	200	150	500	400	23	110	14	370	140	42	110	1/2"	3/8"	3/8"	220
KDN 150-250	3	200	150	160	530	280	375	100	200	150	500	400	23	110	14	370	180	42	110	1/2"	1/2"	3/8"	180
KDN 150-330	4	200	150	160	670	315	400	100	200	150	550	450	22	140	18	500	180	55 1)	110	1/2"	1/2"	3/8"	255
KDN 150-400	4	200	150	160	670	315	450	100	200	150	550	450	22	140	18	500	180	55 1)	110	1/2"	1/2"	3/8"	298
KDN 150-500	4	200	150	180	670	355	500	100	200	150	550	450	22	140	18	500	180	55	110	1/2"	1/2"	3/8"	410
KDN 150-500A	4	200	150	180	670	355	500	100	200	150	550	450	22	140	18	500	180	55	110	1/2"	1/2"	3/8"	410

CENTRIFUGAL PUMPS

KDN OVERSIZE

STANDARDISED CENTRIFUGAL PUMPS

DIMENSIONS AND WEIGHTS



MODEL	Supp.	DNa	DNm	a	f	h1	h2	b	m1	m2	n1	n1a	n1b	n2	n2a	n2b	d2	n3	d3	h3	e	w	x	d1	l	M1	S1	V1	kg.
KDN 200-330	4	250	200	200	670	355	450	100	200	150	550	275	275	450	225	225	22	140	18			500	180	55	110	1/2"	1/2"	3/8"	360
KDN 200-400	4	250	200	185	670	355	500	100	200	150	550	275	275	450	225	225	22	140	18			500	180	55	110	1/2"	1/2"	3/8"	390
KDN 200-500	4	250	200	185	670	400	580	140	250	190	800	400	400	660	330	330	27	140	18	15		500	180	55	110	1/2"	1/2"	3/8"	400
KDN 250-330	4	300	250	250	670	400	525	140	250	190	700	350	350	560	280	280	27	140	18			500	240	55	110	1/2"	1/2"	3/8"	410
KDN 250-400	5	300	250	225	780	400	600	125	250	190	690	345	345	560	280	280	27	140	18			545	180	65	140	1/2"	1/2"	3/8"	650
KDN 250-500	5	300	250	300	800	500	500	130	260	190	830	380	450	710	320	390	27	140	18		425	565	250	65	140	1/2"	1/2"	3/8"	700
KDN 250-500A	5	300	250	300	800	500	500	130	260	190	830	380	450	710	320	390	27	140	18		425	565	250	65	140	1/2"	1/2"	3/8"	700
KDN 300-330	4	350	300	300	720	500	670	150	360	280	900	450	450	750	375	375	27	140	18			550	240	55	110	1/2"	1/2"	3/8"	780
KDN 300-400	5	350	300	325	790	400	640	125	250	190	690	345	345	560	280	280	27	140	18			555	240	65	140	1/2"	1/2"	3/8"	800
KDN 300-400A	5	350	300	325	790	400	640	125	250	190	690	345	345	560	280	280	27	140	18			555	240	65	140	1/2"	1/2"	3/8"	800
KDN 300-400M	5	350	300	300	845	500	670	150	360	280	900	450	450	750	375	375	27	140	18			610	240	65	140	1/2"	1/2"	3/8"	900
KDN 350-500	6	400	350	380	1150	600	600	150	400	300	1000	450	550	850	375	475	27	140	18		450	800	380	110	210	1/2"	1/2"	3/8"	1080
KDN 350-500A	6	400	350	380	1150	600	600	150	400	300	1000	450	550	850	375	475	27	140	18		450	800	380	110	210	1/2"	1/2"	3/8"	1080