

KP

PERIPHERAL PUMPS

ENERGY EFFICIENCY **IE2**



DOMESTIC WATER SUPPLY



KP 60/6 - 60/12

Pump body, motor support and impeller in brass. Carbon/ceramic mechanical seal. Stainless steel motor shaft. Asynchronous, closed motor cooled by external ventilation.

Rotor mounted on oversized greased sealed-for-life ball bearings to ensure silent running and long life.

Motor overload cut out equipped as standard in the single-phase version. Overload protection to be provided by the user for the three-phase version. Permanently connected capacitor for the single-phase version.

Construction to CEI 2-3 and CEI 61-69 (EN 60335-2-41)

Protection rating: IP 44

Insulation class: F

Standard voltage: 1x230V 50Hz single-phase
3x230-400V 50Hz three-phase

Operating range: from 1 to 35 l/min with head up to 107 meters.

Pumped liquid: clean, free from solids or abrasive substances, not aggressive.

Liquid temperature range:
- from 0°C to +35°C for domestic use (EN 60335-2-41)
- from -10°C to +80°C for other uses.

Maximum ambient temperature: +40°C

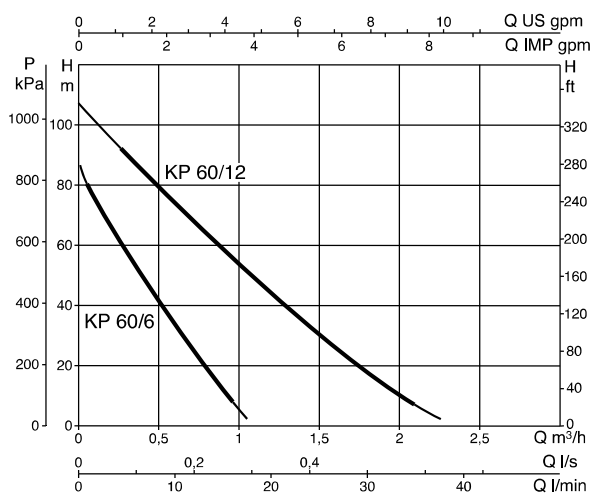
Maximum working pressure: 10 bar (1000 kPa).

Installation: fixed in horizontal position.

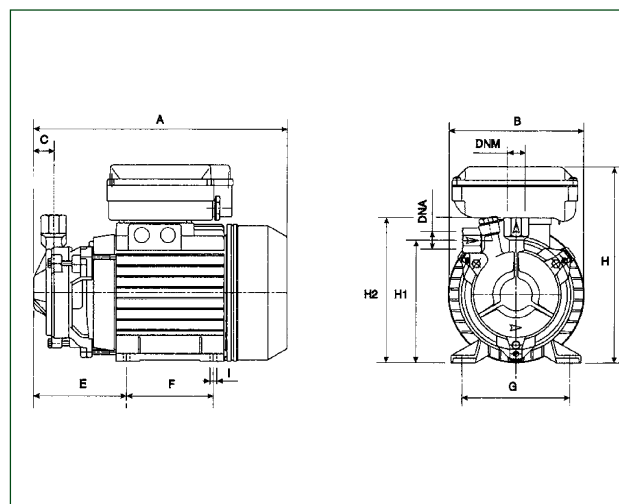
TECHNICAL DATA

MODEL	CODE	ELECTRICAL DATA						HYDRAULIC DATA								
		VOLTAGE 50 Hz	P1 MAX kW	P2 NOMINAL		In A	CAPACITOR		Q=m³/h	0	0,3	0,6	0,9	1,2	1,8	2,4
				kW	HP		µF	Vc	Q=l/min	0	5	10	15	20	30	40
KP 60/6 M	101110280	1 x 230 V ~	0,54	0,37	0,5	2,4	10	450	H (m)	87	57	33	13			
KP 60/6 T	101110290	3 x 230 - 400 V ~	0,52	0,37	0,5	1,8-1	-	-		87	57	33	13			
KP 60/12 M	101110320	1 x 230 V ~	1,15	0,75	1	5,2	20	450		107	91	74	58	43	17	
KP 60/12 T	60145184	3 x 230 - 400 V ~	1,12	0,75	1	3,8-2,2	-	-		107	91	74	58	43	17	

KP 60/6 - 60/12



DIMENSIONS AND WEIGHTS



MODEL	A	B	C	E	F	G	∅	H	H1	H2	DNA	DNM	PACKAGING DIMENSIONS			WEIGHT KG	Q.TY x PALLET
													L/A	L/B	H		
KP 60/6 M	262	142	21	96	90	112	7	204	127	151	1/2" G	1/2" G	406	267	402	8,2	39
KP 60/6 T	262	142	21	96	90	112	7	173	127	151	1/2" G	1/2" G	406	267	402	7,9	39
KP 60/12 M	262	142	20	96	90	112	7	204	126	161	3/4" G	3/4" G	406	267	402	10,1	39
KP 60/12 T	262	142	20	96	90	112	7	173	126	161	3/4" G	3/4" G	406	267	402	9,90	39