

KPA

SELF-PRIMING PERIPHERAL PUMPS

ENERGY EFFICIENCY **IE2**



DOMESTIC WATER SUPPLY



Self-priming peripheral pump with star impeller, with a great suction capacity. Cast iron body with brass ring. Motor support and impeller in brass to avoid the risk of blocking. Driving shaft in stainless steel. Carbon/ceramic mechanical seal.

Asynchronous, closed motor, cooled by external ventilation. Built-in thermal and current overload protection and a capacitor permanently on in the single-phase version. For the protection of the three-phase motor it is advisable to use a suitable overload protection complying with the regulations in force.

Operating range: from 8 to 45 l/min. with head up to 53 metres.

Liquid temperature range: from -10°C to +80°C from 0°C to +35°C for domestic use.

Pumped liquid characteristics: clean, free from solids or abrasive substances, not viscous, not aggressive, not crystallised and chemically neutral.

Maximum ambient temperature: +40°C

Maximum working pressure: 10 bar (1000 kPa).

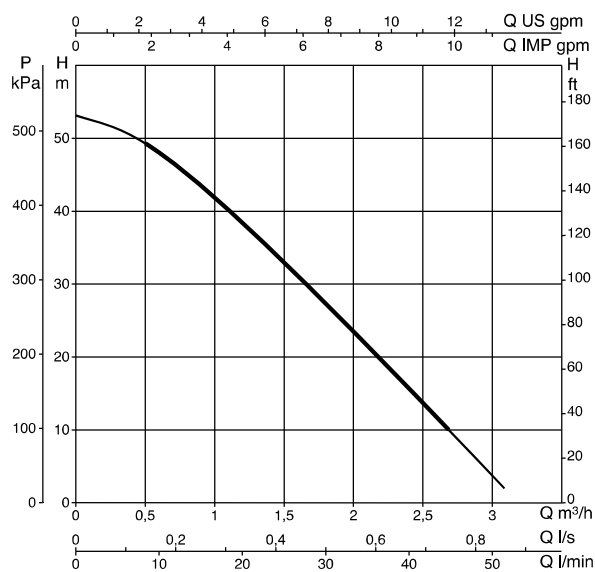
Protection level: IP 44 (IP 55 terminal board protection).

Insulation class: F

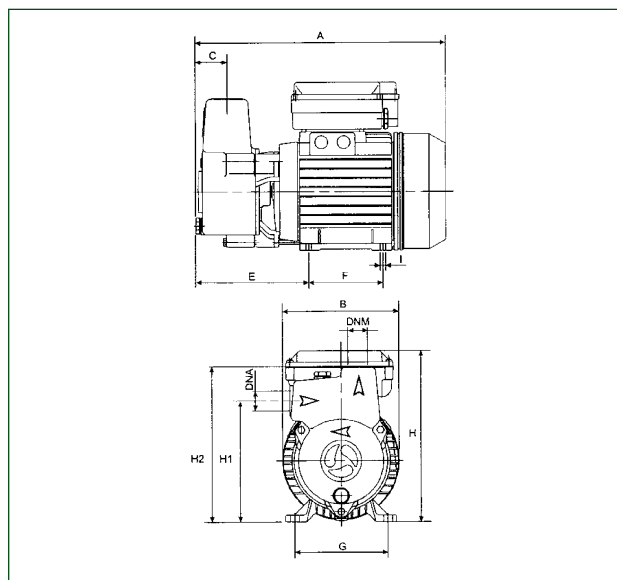
TECHNICAL DATA

MODEL	CODE	ELECTRICAL DATA						HYDRAULIC DATA								
		VOLTAGE 50 Hz	P1 MAX kW	P2 NOMINAL		In A	CAPACITOR		Q=m³/h	0	0,3	0,6	0,9	1,2	1,8	2,4
				kW	HP		µF	Vc	Q=l/min	0	5	10	15	20	30	40
KPA 40/20 M	101120000	1 x 230 V ~	1,85	0,75	1	4,7	20	450	H (m)	53	51	48	43	38	27	16
KPA 40/20 T	60145185	3 x 230 - 400 V ~	1	0,75	1	3,5-2,1	-	-	H (m)	53	51	48	43	38	27	16

KPA



DIMENSIONS AND WEIGHTS



MODEL	A	B	C	E	F	G	I Ø	H	H1	H2	DNA GAS	DNM GAS	PACKAGING DIMENSIONS			WEIGHT KG	Q.TY x PALLET
													L/A	L/B	H		
KPA 40/20 M-T	301	142	38	136	90	112	7	206	146	187	1"	1"	406	267	402	12,40	39