

KPS - KPF - KP PERIPHERAL PUMPS

DOMESTIC WATER SUPPLY

KPF FRONTAL
SUCTION



Peripheral centrifugal pump, reduced encumbrance, able to generate high heads, it is suitable for domestic use and small industrial uses.

Pump body and motor support in brass for the KP 60 version, in cast iron for the KPS 30 and KP 38 versions. Brass impeller. Mechanical seal in carbon/ceramic. Asynchronous, closed motor, cooled by external ventilation.

Built-in thermal and current overload protection and a capacitor permanently on in the single-phase version. For the protection of the three-phase motor it is advisable to use a suitable overload protection complying with the regulations in force.

Operating range: from 1 to 50 l/min. with head up to 107 metres.

Liquid temperature range: from 0°C to +35°C for domestic use. from -10°C to +50°C for other uses.

Pumped liquid characteristics: clean, free from solids or abrasive substances, not viscous, not aggressive, not crystallised and chemically neutral.

Maximum ambient temperature: +40°C

Maximum working pressure: 10 bar (6 bar for KPS-KPF 30/16).

Protection level: IP 44

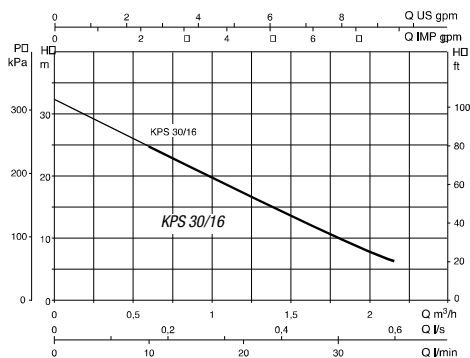
Insulation class: F

TECHNICAL DATA

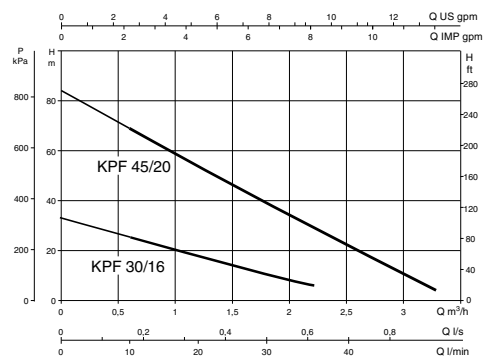
MODEL	CODE	ELECTRICAL DATA							HYDRAULIC DATA								
		VOLTAGE 50 Hz	P1 MAX kW	P2 NOMINAL		I _n A	CAPACITOR		Q=m ³ /h Q=l/min	0	0,3	0,6	0,9	1,2	1,8	2,4	
				kW	HP		μF	Vc		0	5	10	15	20	30	40	
KPF 30/16 M	101110400	1 x 230 V ~	0,53	0,37	0,5	2,37	8	450	H (m)	32,5	31	25	22	17,5	10		
KPF 30/16 T	101110410	3 x 230 - 400 V ~	0,47	0,37	0,5	1,45-0,82	-	-		32,5	31	25	22	17,5	10		
KPS 30/16 M	101110024	1 x 230 V ~	0,47	0,37	0,5	2	8	450		32,5	31	25	22	17,5	10		
KPS 30/16 T	101110014	3 x 230 - 400 V ~	0,47	0,37	0,5	1,4-0,8	-	-		32,5	31	25	22	17,5	10		
KPS 30/16 M-P ¹	101112224	1 x 230 V ~	0,47	0,37	0,5	2	8	450		32,5	31	25	22	17,5	10		
KP 38/18 M	101110060	1 x 230 V ~	0,89	0,6	0,8	4	12,5	450		54	50	46	41	36	27,5	17,5	
KP 38/18 T	101110050	3 x 230 - 400 V ~	0,86	0,6	0,8	2,9-1,7	-	-		54	50	46	41	36	27,5	17,5	
KPF 45/20 M	60141934	1 x 230 V ~	1,5	1,0	1,34	5,9	25	450		84	76	68	62	56	38	24	
KPF 45/20 T	60145268	3 x 230 - 400 V ~	1,4	1,0	1,34	-	-	-		84	76	68	62	56	38	24	

¹ KPS-fitted Pump fitted with a pressure gauge, pressure switch, power supply cable with plug and five-way fitting for connection to a tank.

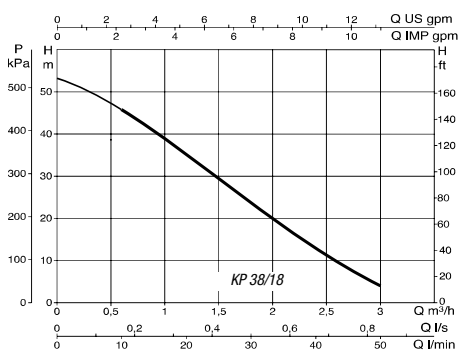
KPS



KPF

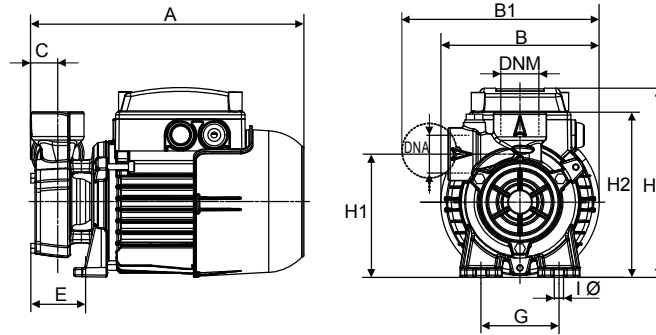


KP 38/18

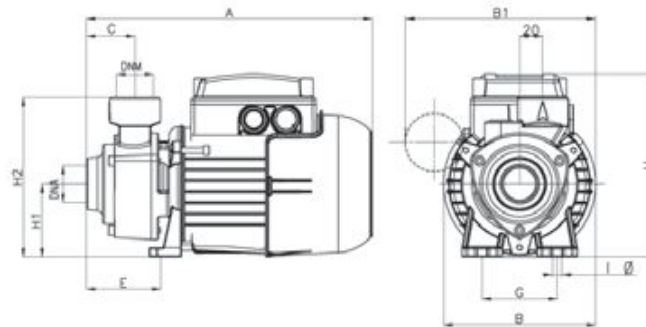


DIMENSIONS AND WEIGHTS

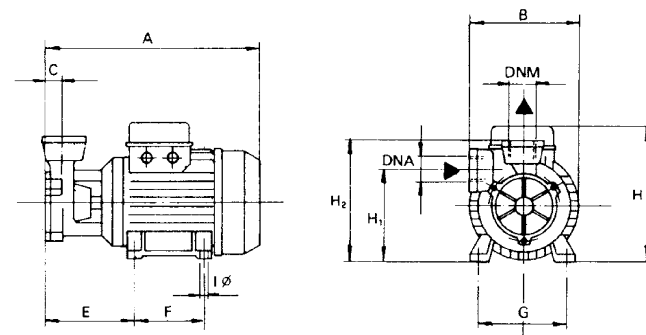
KPS



KPF



KP 30/16



MODEL	A	B	B1	C	E	F	G	I Ø	H	H1	H2	DNA	DNM	PACKAGING DIMENSIONS			WEIGHT KG	Q.TY X PALLET
														L/A	L/B	H		
KPS 30/16	228	132	165	22	46	-	65	8	158	103	138	1°G	1°G	259	164	197	5,4	120
KPF 30/16	247	132	165	42	64	-	65	8	158	63	138	1°G	1°G	262	140	180	5,3	110
KP 38/18	255	130	-	26	106	80	100	7	186	108	153	1°G	1°G	271	176	209	7,5	68
KPF 45/20 M	315	155	-	55	95	-	112	7	188	78	163	1°G	1°G	325	165	198	9,0	39
KPF 45/20 T	315	155	-	55	95	-	112	7	188	78	163	1°G	1°G	325	165	198	9,0	39