

MULTI 4 SW

SELF-PRIMING HORIZONTAL MULTISTAGE PUMPS



SALT WATER



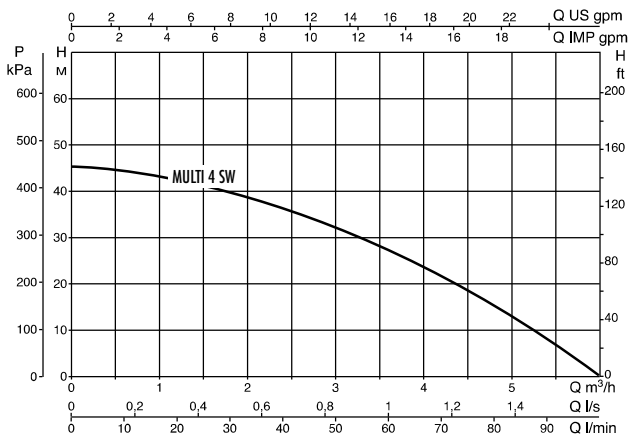
Is a self-priming multistage surface pump specifically constructed to pump salt water. Low noise and high pressure performance. **Available with 4-Noryl impeller.**
Anti-corrosive and rust-proof materials. Motor with thermic overload protection.

Double sealing system between motor and hydraulic part. High resistance to frost and icing. Supplied with power cable with plug, and self-sealing fitting.
Supplied complete with power cable and plug.

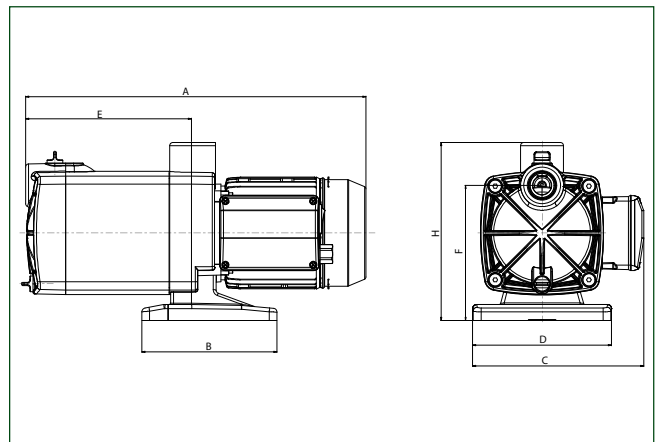
TECHNICAL DATA

MODEL	CODE	N° IMPELLERS	ELECTRICAL DATA					HYDRAULIC DATA												
			VOLTAGE 50 Hz	P1 MAX KW	P2 NOMINAL		In A	CAPACITOR		Q=m³/h	0	0,6	1,2	1,8	2,4	3,0	3,6	4,2	4,8	5,4
					KW	HP		µF	Vc	Q=l/min	0	10	20	30	40	50	60	70	80	90
MULTI 4 SW M	60122695	4	1x220-240V ~	1	0,75	1	4,5	16	450	H (m)	46	45	43	40	38	33	28	22	16	9

MULTI 4 SW



DIMENSIONS AND WEIGHTS



MODEL	A	B	C	D	E	F	H	DNA GAS	DNM GAS	PACKAGING DIMENSIONS			WEIGHT Kg	Q.TY x PALLET
										L/A	L/B	H		
MULTI 4 SW M	430	170	215	175	209	170	224	1"	1"	460	230	270	10,6	21