

# MULTI INOX

## SELF-PRIMING HORIZONTAL MULTISTAGE PUMPS



### DOMESTIC WATER SUPPLY



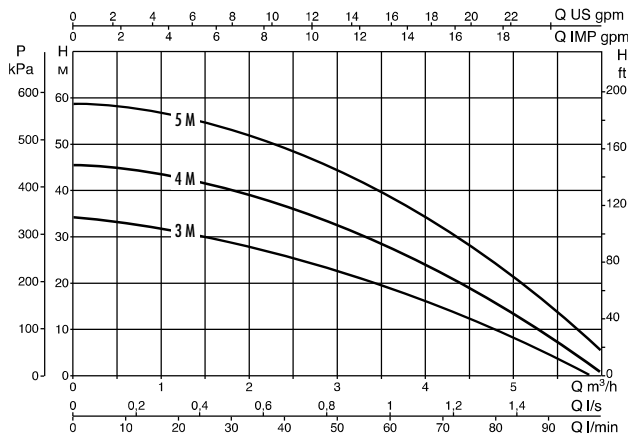
Self-priming multistage pumps ideal for water supply in domestic and garden applications. High performances. Available with 3 - 4 - 5 **impellers in AISI 304 stainless steel**.  
Materials resistant to corrosion and oxidation.  
Motor with thermal overload protection.  
Double insulation between motor and hydraulic section.

Optimal resistance to low temperatures.  
Supplied complete with power cable and plug.  
**Liquid temperature range:**  
from 0°C to +35°C (for domestic use)  
(EN 60335-2-41)  
from 0°C to +40°C (for other uses).

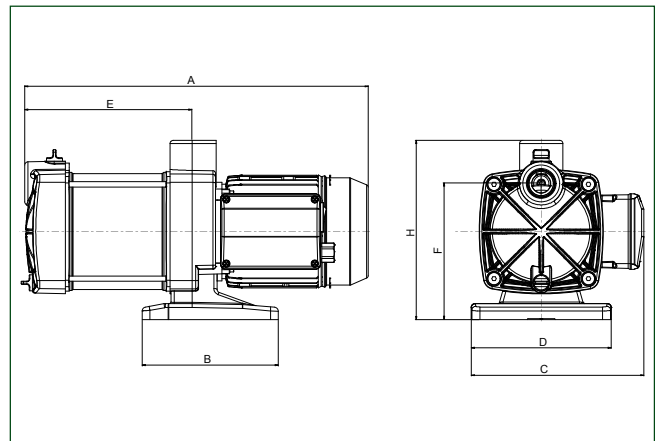
## TECHNICAL DATA

MODEL	CODE	N° IMPELLERS	ELECTRICAL DATA						HYDRAULIC DATA											
			VOLTAGE 50 Hz	P1 MAX KW	P2 NOMINAL		In A	CAPACITOR		Q=m³/h	H (m)									
					KW	HP		µF	Vc		0	0,6	1,2	1,8	2,4	3,0	3,6	4,2	4,8	5,4
MULTI INOX 3 M	60122692	3	1x220-240V ~	0,80	0,55	0,75	3,7	12,5	450	33	32	30	29	27	22	19	14	10	5	
MULTI INOX 4 M	60122693	4	1x220-240V ~	1,00	0,75	1	4,5	16	450	46	45	43	40	38	33	28	22	16	9	
MULTI INOX 5 M	60122694	5	1x220-240V ~	1,25	1	1,36	5,5	20	450	59	58	56	53	49	45	38	32	25	13	

## MULTI INOX



## DIMENSIONS AND WEIGHTS



MODEL	A	B	C	D	E	F	H	DNA GAS	DNM GAS	PACKAGING DIMENSIONS			WEIGHT Kg	Q.TY x PALLET
										L/A	L/B	H		
MULTI INOX 3 M	380	170	215	175	184	170	220	1"	1"	460	230	270	8,8	21
MULTI INOX 4 M	430	170	215	175	209	170	220	1"	1"	460	230	270	11,3	21
MULTI INOX 5 M	455	170	215	175	234	170	220	1"	1"	460	230	270	12,5	21