

PULSAR

5" MULTISTAGE SUBMERSIBLE PUMPS

DOMESTIC WATER SUPPLY



PULSAR pumps, which are very silent running, can be installed inside boreholes and sumps and eliminates all potential problems of suction and unpriming.

Multi-stage close-coupled borehole pump with hydraulic section below motor, which is cooled by the pumped liquid. -Impellers, diffusers, strainer and oil sump in abrasion-proof thermoplastic. Outer liner, stator sleeve, upper head with delivery connection and closing ring in AISI 304 stainless steel. Rotor shaft extension in AISI 304. Elastomers in NBR. Stainless steel screws.

Double mechanical seal with interposed oil chamber, made of ceramic/carbon on motor side and silicon carbide/silicon carbide on pump side.

Submersible with continuous duty asynchronous motor. Rotor running on ball bearings, oversized to ensure low noise and durability. **Built-in thermal and current overload protection and a capacitor permanently on in the single-phase version.** To protect the three-phase motor use remote overload cut-outs in compliance with statutory regulations.

Constructed in compliance with CEI 2-3 and CEI 61-69 (EN 60335-2-41) standards.

Operating range: from 0.9 to 7.2 m³/h with head up to 86 metres.

Maximum permissible sand quantity: 50 g/m³

Motor protection level: IP 68

Insulation class: F

Liquid temperature range: From 0° C to +40° C

Standard cables: 20 m H07 RN F cable type.

Cable complete with SCHUKO plug EEC 7-VII-UNEL 47166-68 for the single-phase version.

Single-phase versions can be equipped with or without float switches for automatic operation.

TECHNICAL DATA

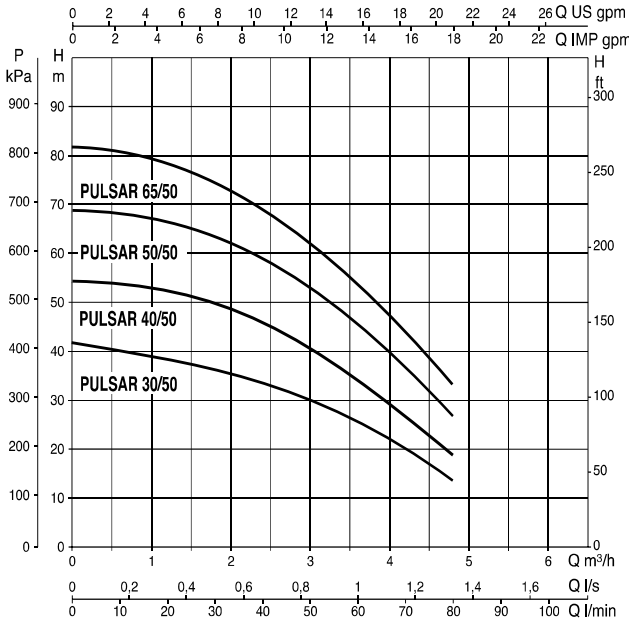
MODEL	CODE	ELECTRICAL DATA							HYDRAULIC DATA							
		VOLTAGE 50 Hz	P1 kW	P2		I _n A	CAPACITOR		Q m ³ /h l/min	H						
				kW	HP		µF	Vc		0	12	2,4	3,6	4,8	6	7,2
PULSAR 30/50 M-A	104160000	1x230 V~	0,94	0,55	0,75	4,5	16	450	42	38,2	33,8	24,8	13,5			
PULSAR 30/50 M-NA	104160010	1x230 V~	0,94	0,55	0,75	4,5	16	450	42	38,2	33,8	24,8	13,5			
PULSAR 30/50 T-NA	104160420	3x230 V~	0,87	0,55	0,75	2,85	-	-	42	38,2	33,8	24,8	13,5			
PULSAR 30/50 T-NA	104160020	3x400 V~	0,87	0,55	0,75	1,65	-	-	42	38,2	33,8	24,8	13,5			
PULSAR 40/50 M-A	104160030	1x230 V~	1,12	0,75	1	5,2	16	450	56	51	45	33	18			
PULSAR 40/50 M-NA	104160040	1x230 V~	1,12	0,75	1	5,2	16	450	56	51	45	33	18			
PULSAR 40/50 T-NA	104160450	3x230 V~	1,03	0,75	1	3,2	-	-	56	51	45	33	18			
PULSAR 40/50 T-NA	104160050	3x400 V~	1,03	0,75	1	1,85	-	-	56	51	45	33	18			
PULSAR 50/50 M-A	104160060	1x230 V~	1,45	1	1,36	6,5	25	450	72	65,5	58	43,6	24,5			
PULSAR 50/50 M-NA	104160070	1x230 V~	1,45	1	1,36	6,5	25	450	72	65,5	58	43,6	24,5			
PULSAR 50/50 T-NA	104160480	3x230 V~	1,35	1	1,36	4,15	-	-	72	65,5	58	43,6	24,5			
PULSAR 50/50 T-NA	104160080	3x400 V~	1,35	1	1,36	2,4	-	-	72	65,5	58	43,6	24,5			
PULSAR 65/50 M-A	104160090	1x230 V~	1,70	1,2	1,6	7,8	30	450	86	78,5	70	52,8	29			
PULSAR 65/50 M-NA	104160100	1x230 V~	1,70	1,2	1,6	7,8	30	450	86	78,5	70	52,8	29			
PULSAR 65/50 T-NA	104160510	3x230 V~	1,60	1,2	1,6	5	-	-	86	78,5	70	52,8	29			
PULSAR 65/50 T-NA	104160110	3x400 V~	1,60	1,2	1,6	2,9	-	-	86	78,5	70	52,8	29			
PULSAR 30/80 M-A	104160230	1x230 V~	1,12	0,75	1	5,2	16	450	51	48,2	44,8	39,2	32,4	23,5	13	
PULSAR 30/80 M-NA	104160240	1x230 V~	1,12	0,75	1	5,2	16	450	51	48,2	44,8	39,2	32,4	23,5	13	
PULSAR 30/80 T-NA	104160650	3x230 V~	1,03	0,75	1	3,2	-	-	51	48,2	44,8	39,2	32,4	23,5	13	
PULSAR 30/80 T-NA	104160250	3x400 V~	1,03	0,75	1	1,85	-	-	51	48,2	44,8	39,2	32,4	23,5	13	
PULSAR 40/80 M-A	104160260	1x230 V~	1,45	1	1,36	6,5	25	450	64	61	56,8	50	41,5	30,5	16,2	
PULSAR 40/80 M-NA	104160270	1x230 V~	1,45	1	1,36	6,5	25	450	64	61	56,8	50	41,5	30,5	16,2	
PULSAR 40/80 T-NA	104160680	3x230 V~	1,35	1	1,36	4,15	-	-	64	61	56,8	50	41,5	30,5	16,2	
PULSAR 40/80 T-NA	104160280	3x400 V~	1,35	1	1,36	2,4	-	-	64	61	56,8	50	41,5	30,5	16,2	
PULSAR 50/80 M-A	104160290	1x230 V~	1,70	1,2	1,6	7,8	30	450	77	73,2	68	60	50	37	19,6	
PULSAR 50/80 M-NA	104160300	1x230 V~	1,70	1,2	1,6	7,8	30	450	77	73,2	68	60	50	37	19,6	
PULSAR 50/80 T-NA	104160710	3x230 V~	1,60	1,2	1,6	5	-	-	77	73,2	68	60	50	37	19,6	
PULSAR 50/80 T-NA	104160310	3x400 V~	1,60	1,2	1,6	2,9	-	-	77	73,2	68	60	50	37	19,6	

A= automatic with float NA= non automatic without float

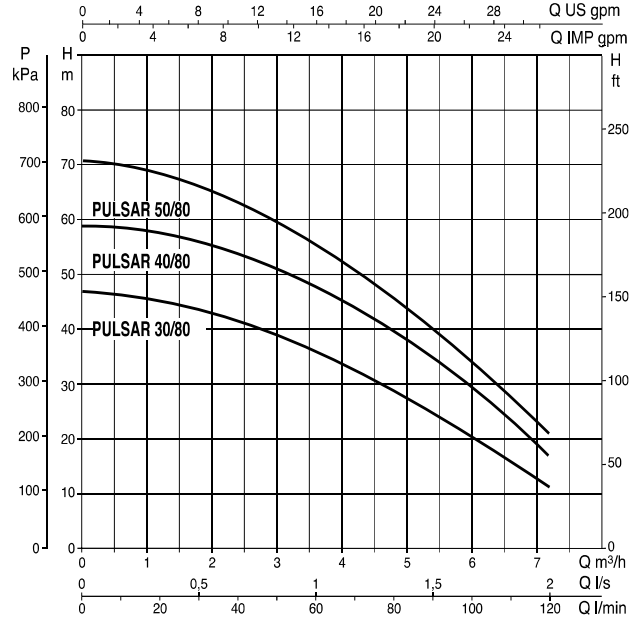
PULSAR

5" MULTISTAGE SUBMERSIBLE PUMPS

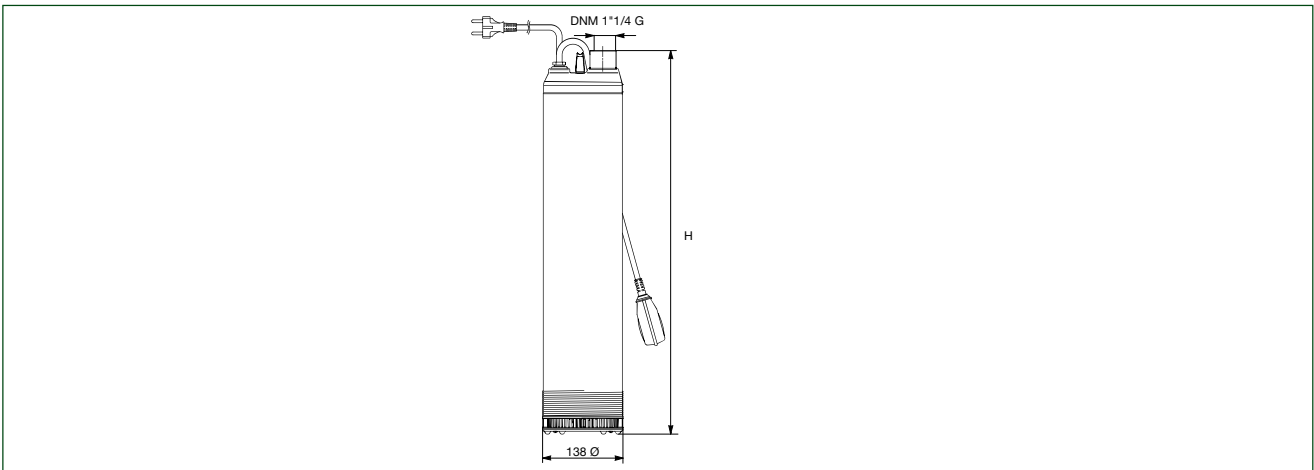
PULSAR .../50



PULSAR .../80



DIMENSIONS AND WEIGHTS



MODEL	H	PACKAGING DIMENSION			PACKAGING VOLUME m ³	Q.TY X PALLET	DNM GAS	WEIGHT Kg		
		L/A	L/B	H				MA	MNA	TNA
PULSAR 30/50 M-T	562	690	220	165	0,037	20	1 1/4"	17,3	16,7	17,3
PULSAR 40/50 M-T	562	690	220	165	0,037	20	1 1/4"	17,5	17	17,5
PULSAR 50/50 M-T	630	690	220	165	0,037	20	1 1/4"	18,5	18	18,5
PULSAR 65/50 M-T	657	690	220	165	0,037	20	1 1/4"	19,5	19	19,5
PULSAR 30/80 M-T	562	690	220	165	0,037	20	1 1/4"	7,5	17	17,5
PULSAR 40/80 M-T	630	690	220	165	0,037	20	1 1/4"	18,5	18	18,5
PULSAR 50/80 M-T	657	690	220	165	0,037	20	1 1/4"	19,5	19	19,5

PULSAR DRY

5" MULTISTAGE SUBMERSIBLE PUMPS

DOMESTIC WATER SUPPLY



The PULSAR DRY pumps are used in lifting and pressurisation systems for water from primary collection tanks or wells and are suitable for providing pressurised water in domestic systems, small-scale farming and sprinkler systems for gardens and vegetable gardens. The pump is extremely silent and this feature makes it suitable for use with pressurisation systems in unventilated rooms or in areas prone to flooding. Single-piece multi-stage bore-hole pump or of surface with hydraulic assembly positioned under the motor which is cooled by the pumped liquid. Impellers, diffusers, filter and oil sump in abrasion-proof thermoplastic. Pump liner, stator sleeve, upper head with sleeve and sealing ring in AISI 304 steel. Upper and lower bearing supports in dezincification-proof pressed brass. Rotor shaft extension in AISI 304. Elastomers in NBR. Stainless steel hardware. **Double mechanical seal** separated by an oil chamber, in ceramic/carbon on the motor side and carborundum/carborundum on the pump side. The sealing system ensures the motor remains airtight and the mechanical seal holds even after brief periods of no-water operation. Continuous service asynchronous submersible motor.

Stator incorporated in an AISI 304 stainless steel airtight casing with a cover housing the cables and capacitor. Rotor mounted on oversized ball bearings to ensure silent running and long life. **Incorporated thermal current protection and permanently connected capacitor in the single-phase version.** As regards three-phase protection, a motor overload cut out should be fitted, in accordance with current standards. Built to IEC 2-3 and IEC 61-69 (EN 60335-2-41).

Operating range: from 0.9 to 7.2 m³/h with a head of up to 86 m

Max. quantity of sand in water: 50 gr/m³

Protection level of motor: IP 68

Protection class of motor: F

Liquid temperature range: da 0°C a +40°C

Maximum depth of immersion: 20 metres

Standard cables: 15 m of H07 RN F cable complete with SCHUKO EEC 7-VII-UNEL 47166-68 plug for the single-phase version. The single-phase versions can be supplied with or without floats for automatic operation.

TECHNICAL DATA

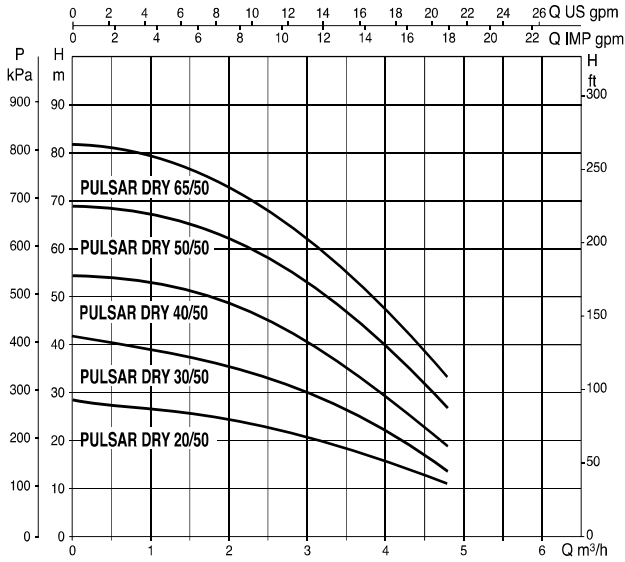
MODEL	CODE	ELECTRICAL DATA						HYDRAULIC DATA								
		VOLTAGE 50 Hz	P1 kW	P2		I _n A	CAPACITOR		Q m ³ /h l/min	H (m)						
kW	HP			µF	Vc		0	12		2,4	3,6	4,8	6	7,2		
PULSAR DRY 30/50 M-NA	104165200	1x230 V~	0,94	0,55	0,75	4,4			42	38,2	33,8	24,8	13,5			
PULSAR DRY 30/50 T-NA	104165410	3x230 V~	0,87	0,55	0,75	2,85			42	38,2	33,8	24,8	13,5			
PULSAR DRY 30/50 T-NA	104165210	3x400 V~	0,87	0,55	0,75	1,65			42	38,2	33,8	24,8	13,5			
PULSAR DRY 40/50 M-NA	104165220	1x230 V~	1,12	0,75	1	5,2			56	51	45	33	18			
PULSAR DRY 40/50 T-NA	104165430	3x230 V~	1,03	0,75	1	3,2			56	51	45	33	18			
PULSAR DRY 40/50 T-NA	104165230	3x400 V~	1,03	0,75	1	1,85			56	51	45	33	18			
PULSAR DRY 50/50 M-NA	104165240	1x230 V~	1,45	1	1,36	6,5			72	65,5	58	43,6	24,5			
PULSAR DRY 50/50 T-NA	104165450	3x230 V~	1,35	1	1,36	4,15			72	65,5	58	43,6	24,5			
PULSAR DRY 50/50 T-NA	104165250	3x400 V~	1,35	1	1,36	2,4			72	65,5	58	43,6	24,5			
PULSAR DRY 65/50 M-NA	104165260	1x230 V~	1,70	1,2	1,6	7,8			86	78,5	70	52,8	29			
PULSAR DRY 65/50 T-NA	104165470	3x230 V~	1,60	1,2	1,6	5			86	78,5	70	52,8	29			
PULSAR DRY 65/50 T-NA	104165270	3x400 V~	1,60	1,2	1,6	2,9			86	78,5	70	52,8	29			
PULSAR DRY 30/80 M-NA	104165300	1x230 V~	1,12	0,75	1	5,2			51	48,2	44,8	39,2	32,4	23,5	13	
PULSAR DRY 30/80 T-NA	104165510	3x230 V~	1,03	0,75	1	3,2			51	48,2	44,8	39,2	32,4	23,5	13	
PULSAR DRY 30/80 T-NA	104165310	3x400 V~	1,03	0,75	1	1,85			51	48,2	44,8	39,2	32,4	23,5	13	
PULSAR DRY 40/80 M-NA	104165320	1x230 V~	0,78	1	1,36	6,5			64	61	56,8	50	41,5	30,5	16,2	
PULSAR DRY 40/80 T-NA	104165530	3x230 V~	0,60	1	1,36	4,15			64	61	56,8	50	41,5	30,5	16,2	
PULSAR DRY 40/80 T-NA	104165330	3x400 V~	0,60	1	1,36	2,4			64	61	56,8	50	41,5	30,5	16,2	
PULSAR DRY 50/80 M-NA	104165340	1x230 V~	0,94	1,2	1,6	7,8			77	73,2	68	60	50	37	19,6	
PULSAR DRY 50/80 T-NA	104165550	3x230 V~	0,87	1,2	1,6	5			77	73,2	68	60	50	37	19,6	
PULSAR DRY 50/80 T-NA	104165350	3x400 V~	0,87	1,2	1,6	2,9			77	73,2	68	60	50	37	19,6	

A= automatic with float NA= non automatic without float

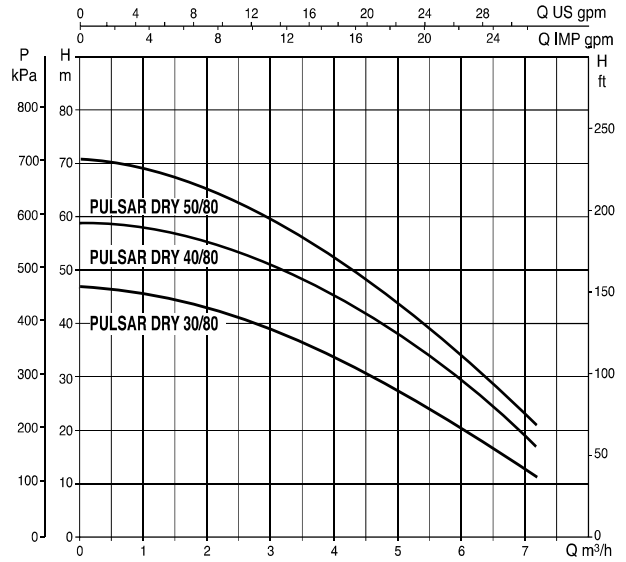
PULSAR DRY

5" MULTISTAGE SUBMERSIBLE PUMPS

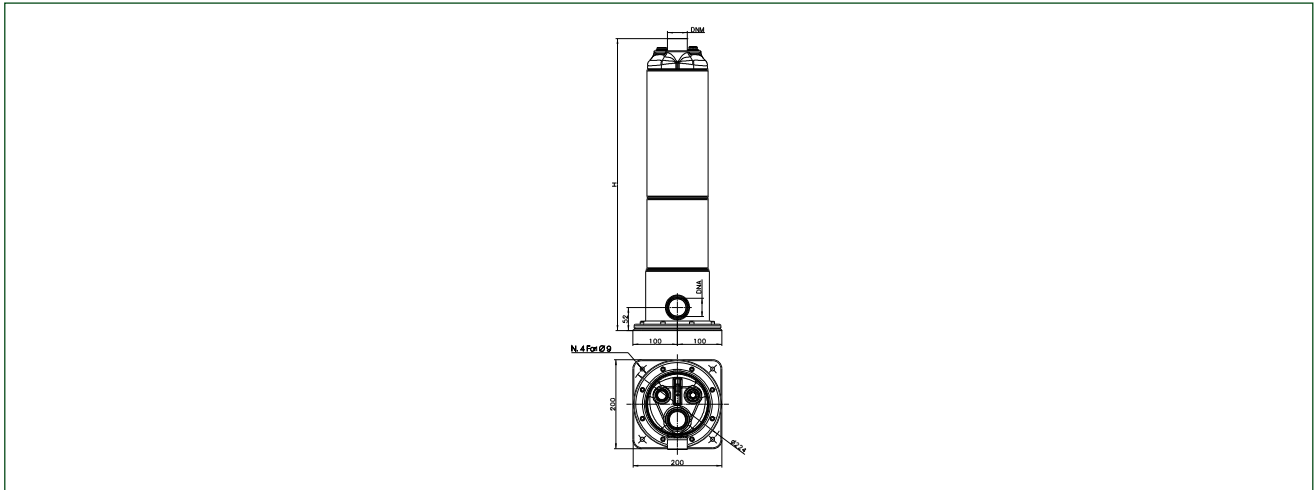
PULSAR .../50



PULSAR .../80



DIMENSIONS AND WEIGHTS



MODEL	H	PACKAGING DIMENSION			PACKAGING VOLUME m³	Q.TY X PALLET	Ø		WEIGHT Kg		
		L/A	L/B	H			DNM GAS	DNA GAS	MA	MNA	TNA
PULSAR DRY 20/50 M-NA/T-NA	603	780	240	265	0,049	20	1 1/4"	1 1/4"	-	16,5	17
PULSAR DRY 30/50 M-NA/T-NA	562	690	220	165	0,037	20	1 1/4"	1 1/4"	-	16,7	17,3
PULSAR DRY 40/50 M-NA/T-NA	562	690	220	165	0,037	20	1 1/4"	1 1/4"	-	17	17,5
PULSAR DRY 50/50 M-NA/T-NA	630	690	220	165	0,037	20	1 1/4"	1 1/4"	-	18	18,5
PULSAR DRY 65/50 M-NA/T-NA	657	690	220	165	0,037	9	1 1/4"	1 1/4"	-	19	19,5
PULSAR DRY 30/80 M-NA/T-NA	562	690	220	165	0,037	20	1 1/4"	1 1/4"	-	17	17,5
PULSAR DRY 40/80 M-NA/T-NA	630	690	220	165	0,037	20	1 1/4"	1 1/4"	-	18	18,5
PULSAR DRY 50/80 M-NA/T-NA	657	690	220	165	0,037	9	1 1/4"	1 1/4"	-	19	19,5