



Multistage, centrifugal, submersible motor-driven pumps for 6" wells or larger, able to generate a vast range of heads and flow rates.

They can be employed in a wide range of lifting, distributing and pressurising applications in civil and industrial water installations, supplying autoclaves and cisterns, fire fighting and washing systems, irrigation systems.

Constructional characteristics of the pump:

Base support and upper head in stainless steel AISI 304
Bottom support dimensioned to NEMA 6" standard.
Check valve incorporated in the supply support.
Bush bearings: bronze rubber
Spline shaft (AISI 420) entirely protected.
Consumable rings, spacer tubes for diffuser body, cable protection, suction grille in AISI 304 stainless steel. Noryl impellers and diffusers.

Constructional characteristics of the motor

Asynchronous 2-pole submersible motor totally built from AISI 304 stainless steel.

Squirrel-cage rotor mounted on a self-centring thrust block bearing suitable for withstanding axial loads. Stator inserted in a stainless steel airtight casing. Protection devices must be provided by the user according to EN 60947-4-1 (Cut-in delay < 10 sec. a 5 x In).

Protection level: IP 68

Operating range: up to 66 m³/h with heads up to 468 m.

Pumped liquid: clean, free from solid or abrasive substances, chemically neutral and close to the characteristics of water

Max. ambient temperature: 30°C

Starts/hour: max 20

Max. quantity of sand: 40g/m³

Minimum recommended level on suction: 1 metre.

TECHNICAL DATA - S6 Direct Starting

MODEL	HYDRAULIC PART CODE DIRECT STARTING	MOTOR CODE 3 x 400 V ~ DIRECT STARTING	ELECTRICAL DATA			HYDRAULIC DATA										DNM GAS	WEIGHT Kg	H mm	
			P2 NOMINAL		In (A)	Q=m ³ /h	0	6	7,8	8,4	10,8	12	15	18	24				36
			kw	HP															
S6 B9 + 6GF 4kW	104068000	0605500	4	5,5	10,6	147	125	120	114	96	85	46				3" G	33	1208	
S6 B12 + 6GF 5,5kW	104068010	0607500	5,5	7,5	14	196	172	160	152	128	113	64				3" G	41	1435	
S6 B15 + 6GF 7,5kW	104068020	0610000	7,5	10	18	224	216	198	190	160	141	80				3" G	65	1542	
S6 B18 + 6GF 9,2kW	104068030	0612500	9,2	12,5	22	293	250	238	228	193	169	96				3" G	72	1686	
S6 B21 + 6GF 9,2kW	104068040	0612500	9,2	12,5	22	342	291	278	266	225	197	112				3" G	75	1799	
S6 B24 + 6GF 11kW	104068050	0615000	11	15	25,5	391	340	315	304	257	226	128				3" G	81	1973	
S6 B28 + 6GF 15kW	104068060	0620000	15	20	34,5	446	400	370	354	300	263	149				3" G	96	2312	
S6 D6 + 6GF 4kW	104068200	0605500	4	5,5	10,6	94			87	80	76	63	44			3" G	30	1056	
S6 D7 + 6GF 5,5kW	104068210	0607500	5,5	7,5	14	109			101	93	89	74	51			3" G	37	1246	
S6 D8 + 6GF 5,5kW	104068220	0607500	5,5	7,5	14	125			115	106	102	84	58			3" G	38	1284	
S6 D9 + 6GF 5,5kW	104068230	0607500	5,5	7,5	14	140			130	120	114	95	66			3" G	39	1322	
S6 D12 + 6GF 7,5kW	104068240	0610000	7,5	10	18	187			173	160	153	127	88			3" G	64	1428	
S6 D15 + 6GF 9,2kW	104068250	0612500	9,2	12,5	22	234			216	201	191	158	110			3" G	70	1572	
S6 D18 + 6GF 11kW	104068260	0615000	11	15	25,5	281			260	241	229	190	132			3" G	77	1746	
S6 D21 + 6GF 15kW	104068270	0620000	15	20	33,4	328			304	281	267	222	154			3" G	91	1994	
S6 D24 + 6GF 15kW	104068280	0620000	15	20	33,4	374			347	321	305	254	176			3" G	99	2168	
S6 D30 + 6GF 18,5kW	104068290	0625000	18,5	25	41	468			464	401	381	317	220			3" G	115	2559	
S6 F4 + 6GF 4kW	104068400	0605500	4	5,5	10,6	61					53	51	48	40	15	3" G	30	1056	
S6 F6 + 6GF 5,5kW	104068410	0607500	5,5	7,5	14	91					80	76	71	59	22	3" G	33	1322	
S6 F8 + 6GF 7,5kW	104068420	0610000	7,5	10	18	122					106	101	95	79	30	3" G	63	1428	
S6 F10 + 6GF 9,2kW	104068430	0612500	9,2	12,5	22	152					133	126	119	99	37	3" G	70	1572	
S6 F12 + 6GF 11kW	104068440	0615000	11	15	25,5	182					159	154	143	119	47	3" G	76	1746	
S6 F14 + 6GF 15kW	104068450	0620000	15	20	33,4	213					186	178	167	139	56	3" G	90	1994	
S6 F16 + 6GF 15kW	104068460	0620000	15	20	33,4	243					212	204	190	158	64	3" G	97	2168	
S6 F20 + 6GF 18,5kW	104068470	0625000	18,5	25	41	304					265	255	238	198	80	3" G	114	2559	
S6 F24 + 6GF 22kW	104068480	0630000	22	30	47	365					318	305	286	238	96	3" G	128	2895	

S6

6" SUBMERSIBLE PUMPS

MODEL	HYDRAULIC PART CODE DIRECT STARTING	MOTOR CODE 3 x 400 V ~ DIRECT STARTING	ELECTRICAL DATA			HYDRAULIC DATA											DNM GAS	WEIGHT Kg	H mm	
			P2 NOMINAL		In (A)	Q=m³h	0	10,8	12	15	18	24	36	48	54	66				
			kW	HP																Q=l/min
S6 H3 + 6GF 4kW	104068600	0605500	4	5,5	10,6	48				42	39	30	12					3° G	30	1046
S6 H4 + 6GF 5,5kW	104068610	0607500	5,5	7,5	14	63				57	53	40	16					3° G	36	1219
S6 H5 + 6GF 7,5kW	104068620	0610000	7,5	10	18	78				71	66	50	20					3° G	60	1272
S6 H6 + 6GF 9,2kW	104068630	0612500	9,2	12,5	22	94				85	80	60	23					3° G	66	1362
S6 H8 + 6GF 11kW	104068640	0615000	11	15	25,5	126				114	106	80	31					3° G	72	1542
S6 H9 + 6GF 15kW	104068650	0620000	15	20	33,4	141				128	120	90	35					3° G	85	1737
S6 H10 + 6GF 15kW	104068660	0620000	15	20	33,4	157				142	133	100	39					3° G	92	1857
S6 H12 + 6GF 18,5kW	104068670	0625000	18,5	25	41	188				170	160	120	47					3° G	106	2087
S6 H15 + 6GF 22kW	104068680	0630000	22	30	47	235				213	199	150	59					3° G	119	2377
S6 H18 + 6GF 30kW	104068690	0640000	30	40	61,5	283				256	239	180	71					3° G	137	2729
S6 H20 + 6GF 30kW	104068700	0640000	30	40	61,5	314				284	266	200	78					3° G	150	2959
S6 L3 + 6GF 5,5kW	104068800	0607500	5,5	7,5	14	40						28	22	18	7			3° G	28	1160
S6 L4 + 6GF 7,5kW	104068810	0610000	7,5	10	18	52						38	29	23	9			3° G	30	1212
S6 L5 + 6GF 9,2kW	104068820	0612500	9,2	12,5	22	65						48	36	29	11			3° G	59	1302
S6 L6 + 6GF 11kW	104068830	0615000	11	15	25,5	78						57	44	36	13			3° G	65	1422
S6 L8 + 6GF 15kW	104068840	0620000	15	20	33,4	104						77	58	47	18			3° G	71	1677
S6 L9 + 6GF 15kW	104068850	0620000	15	20	33,4	118						86	66	53	20			3° G	91	1797
S6 L10 + 6GF 18,5kW	104068860	0625000	18,5	25	41	131						96	73	59	23			3° G	104	1967
S6 L12 + 6GF 22kW	104068870	0630000	22	30	47	158						114	88	71	27			3° G	116	2197
S6 L15 + 6GF 30kW	104068880	0640000	30	40	61,5	197						144	110	89	34			3° G	134	2497
S6 L18 + 6GF 30kW	104068890	0640000	30	40	61,5	236						173	130	106	41			3° G	147	2839

When ordering, please specify the codes: pump, motor. The pump and the motor are supplied disassembled.

TECHNICAL DATA - S6 Star / Delta Starting

MODEL	HYDRAULIC PART CODE Λ/Δ STARTING	MOTOR CODE 3 x 400 V ~ Λ/Δ STARTING	ELECTRICAL DATA			HYDRAULIC DATA											DNM GAS	WEIGHT Kg	H mm		
			P2 NOMINAL		In (A)	Q=m³h	0	6	7,8	8,4	10,8	12	15	18	24	36					
			kW	HP																Q=l/min	0
S6 B9 + 6GF 4kW	104067000	0605620	4	5,5	10,6	147	125	120	114	96	85	46							3° G	33	1208
S6 B12 + 6GF 5,5kW	104067010	0607510	5,5	7,5	14	196	172	160	152	128	113	64							3° G	41	1435
S6 B15 + 6GF 7,5kW	104067020	0611750	7,5	10	18	224	216	198	190	160	141	80							3° G	65	1542
S6 B18 + 6GF 9,2kW	104067030	0614000	9,2	12,5	22	293	250	238	228	193	169	96							3° G	72	1686
S6 B21 + 6GF 9,2kW	104067040	0614000	9,2	12,5	22	342	291	278	266	225	197	112							3° G	75	1799
S6 B24 + 6GF 11kW	104067050	0617500	11	15	25,5	391	340	315	304	257	226	128							3° G	81	1973
S6 B28 + 6GF 15kW	104067060	0622500	15	20	34,5	446	400	370	354	300	263	149							3° G	96	2312
S6 D6 + 6GF 4kW	104067200	0605620	4	5,5	10,6	94				87	80	76	63	44					3° G	30	1056
S6 D7 + 6GF 5,5kW	104067210	0607510	5,5	7,5	14	109				101	93	89	74	51					3° G	37	1246
S6 D8 + 6GF 5,5kW	104067220	0607510	5,5	7,5	14	125				115	106	102	84	58					3° G	38	1284
S6 D9 + 6GF 5,5kW	104067230	0607510	5,5	7,5	14	140				130	120	114	95	66					3° G	39	1322
S6 D12 + 6GF 7,5kW	104067240	0611750	7,5	10	18	187				173	160	153	127	88					3° G	64	1428
S6 D15 + 6GF 9,2kW	104067250	0614000	9,2	12,5	22	234				216	201	191	158	110					3° G	70	1572
S6 D18 + 6GF 11kW	104067260	0617500	11	15	25,5	281				260	241	229	190	132					3° G	77	1746
S6 D21 + 6GF 15kW	104067270	0622500	15	20	33,4	328				304	281	267	222	154					3° G	91	1994
S6 D24 + 6GF 15kW	104067280	0622500	15	20	33,4	374				347	321	305	254	176					3° G	99	2168
S6 D30 + 6GF 18,5kW	104067290	0627500	18,5	25	41	468				464	401	381	317	220					3° G	115	2559
S6 F4 + 6GF 4kW	104067400	0605620	4	5,5	10,6	61						53	51	48	40	15			3° G	30	1056
S6 F6 + 6GF 5,5kW	104067410	0607510	5,5	7,5	14	91						80	76	71	59	22			3° G	33	1322
S6 F8 + 6GF 7,5kW	104067420	0611750	7,5	10	18	122						106	101	95	79	30			3° G	63	1428
S6 F10 + 6GF 9,2kW	104067430	0614000	9,2	12,5	22	152						133	126	119	99	37			3° G	70	1572
S6 F12 + 6GF 11kW	104067440	0617500	11	15	25,5	182						159	154	143	119	47			3° G	76	1746
S6 F14 + 6GF 15kW	104067450	0622500	15	20	33,4	213						186	178	167	139	56			3° G	90	1994
S6 F16 + 6GF 15kW	104067460	0622500	15	20	33,4	243						212	204	190	158	64			3° G	97	2168
S6 F20 + 6GF 18,5kW	104067470	0627500	18,5	25	41	304						265	255	238	198	80			3° G	114	2559
S6 F24 + 6GF 22kW	104067480	0632400	22	30	47	365						318	305	286	238	96			3° G	128	2895

S6

6" SUBMERSIBLE PUMPS

MODEL	HYDRAULIC PART CODE λ/Δ STARTING	MOTOR CODE 3 x 400 V ~ λ/Δ STARTING	ELECTRICAL DATA			HYDRAULIC DATA											DNM GAS	WEIGHT Kg	H mm
			P2 NOMINAL		In (A)	Q=m³h	0	10,8	12	15	18	24	36	48	54	66			
			kW	HP															
S6 H3 + 6GF 4kW	104067600	0605620	4	5,5	10,6	48				42	39	30	12				3" G	30	1046
S6 H4 + 6GF 5,5kW	104067610	0607510	5,5	7,5	14	63				57	53	40	16				3" G	36	1219
S6 H5 + 6GF 7,5kW	104067620	0611750	7,5	10	18	78				71	66	50	20				3" G	60	1272
S6 H6 + 6GF 9,2kW	104067630	0614000	9,2	12,5	22	94				85	80	60	23				3" G	66	1362
S6 H8 + 6GF 11kW	104067640	0617500	11	15	25,5	126				114	106	80	31				3" G	72	1542
S6 H9 + 6GF 15kW	104067650	0622500	15	20	33,4	141				128	120	90	35				3" G	85	1737
S6 H10 + 6GF 15kW	104067660	0622500	15	20	33,4	157				142	133	100	39				3" G	92	1857
S6 H12 + 6GF 18,5kW	104067670	0627500	18,5	25	41	188				170	160	120	47				3" G	106	2087
S6 H15 + 6GF 22kW	104067680	0632400	22	30	47	235				213	199	150	59				3" G	119	2377
S6 H18 + 6GF 30kW	104067690	0642500	30	40	61,5	283				256	239	180	71				3" G	137	2729
S6 H20 + 6GF 30kW	104067700	0642500	30	40	61,5	314				284	266	200	78				3" G	150	2959
S6 L3 + 6GF 5,5kW	104067800	0607510	5,5	7,5	14	40						28	22	18	7		3" G	28	1160
S6 L4 + 6GF 7,5kW	104067810	0611750	7,5	10	18	52						38	29	23	9		3" G	30	1212
S6 L5 + 6GF 9,2kW	104067820	0614000	9,2	12,5	22	65						48	36	29	11		3" G	59	1302
S6 L6 + 6GF 11kW	104067830	0617500	11	15	25,5	78						57	44	36	13		3" G	65	1422
S6 L8 + 6GF 15kW	104067840	0622500	15	20	33,4	104						77	58	47	18		3" G	71	1677
S6 L9 + 6GF 15kW	104067850	0622500	15	20	33,4	118						86	66	53	20		3" G	91	1797
S6 L10 + 6GF 18,5kW	104067860	0627500	18,5	25	41	131						96	73	59	23		3" G	104	1967
S6 L12 + 6GF 22kW	104067870	0632400	22	30	47	158						114	88	71	27		3" G	116	2197
S6 L15 + 6GF 30kW	104067880	0642500	30	40	61,5	197						144	110	89	34		3" G	134	2497
S6 L18 + 6GF 30kW	104067890	0642500	30	40	61,5	236						173	130	106	41		3" G	147	2839

When ordering, please specify the codes: pump, motor. The pump and the motor are supplied disassembled.

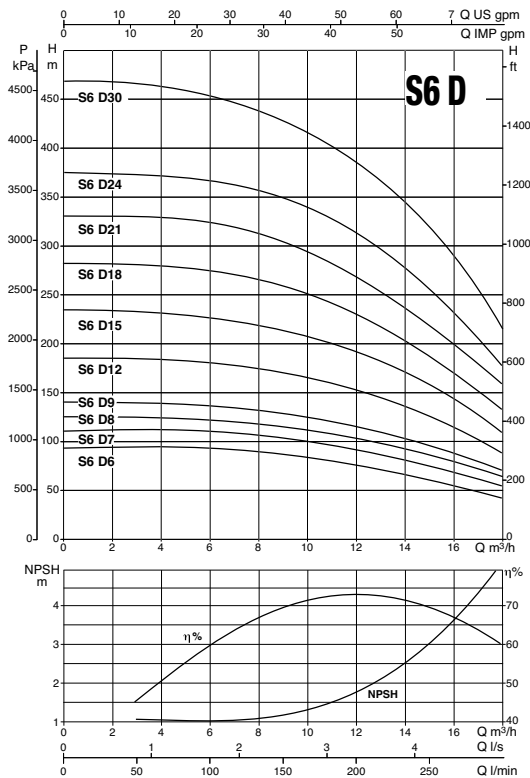
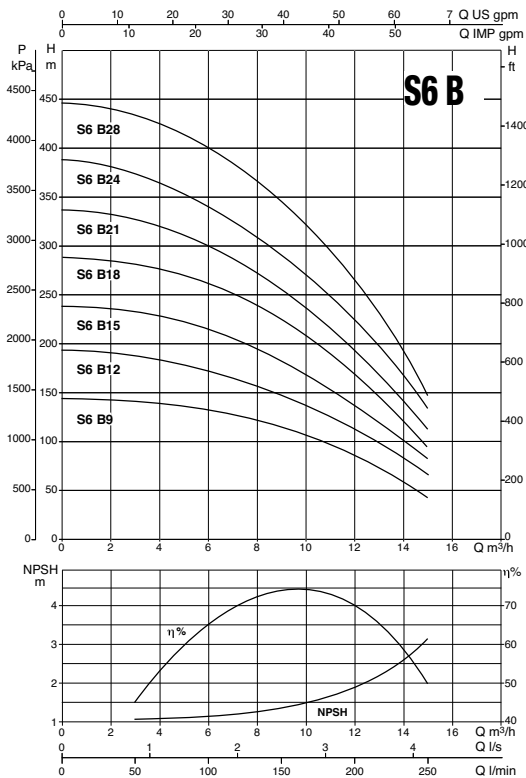
TECHNICAL DATA - S6 ONLY HYDRAULIC PART

MODEL	HYDRAULIC PART CODE DIRECT STARTING	HYDRAULIC PART CODE λ/Δ STARTING	ELECTRICAL DATA		HYDRAULIC DATA											DNM GAS		
			MOTOR P2 NOMINAL		Q=m³h	0	6	7,8	8,4	10,8	12	15	18	24	36			
			kW	HP													Q=l/min	0
S6 B9	104068000	104067000	4	5,5	147	125	120	114	96	85	46							3"
S6 B12	104068010	104067010	5,5	7,5	196	172	160	152	128	113	64							3"
S6 B15	104068020	104067020	7,5	10	224	216	198	190	160	141	80							3"
S6 B18	104068030	104067030	9,2	12,5	293	250	238	228	193	169	96							3"
S6 B21	104068040	104067040	9,2	12,5	342	291	278	266	225	197	112							3"
S6 B24	104068050	104067050	11	15	391	340	315	304	257	226	128							3"
S6 B28	104068060	104067060	13	17,5	446	400	370	354	300	263	149							3"
S6 D6	104068200	104067200	3,7	5	94			87	80	76	63	44						3"
S6 D7	104068210	104067210	5,5	7,5	109			101	93	89	74	51						3"
S6 D8	104068220	104067220	5,5	7,5	125			115	106	102	84	58						3"
S6 D9	104068230	104067230	5,5	7,5	140			130	120	114	95	66						3"
S6 D12	104068240	104067240	7,5	10	187			173	160	153	127	88						3"
S6 D15	104068250	104067250	9,2	12,5	234			216	201	191	158	110						3"
S6 D18	104068260	104067260	11	15	281			260	241	229	190	132						3"
S6 D21	104068270	104067270	13	17,5	328			304	281	267	222	154						3"
S6 D24	104068280	104067280	15	20	374			347	321	305	254	176						3"
S6 D30	104068290	104067290	18,5	25	468			464	401	381	317	220						3"
S6 F4	104068400	104067400	4	5	61					53	51	48	40	15				3"
S6 F6	104068410	104067410	5,5	7,5	91					80	76	71	59	22				3"
S6 F8	104068420	104067420	7,5	10	122					106	101	95	79	30				3"
S6 F10	104068430	104067430	9,2	12,5	152					133	126	119	99	37				3"
S6 F12	104068440	104067440	11	15	182					159	154	143	119	47				3"
S6 F14	104068450	104067450	13	17,5	213					186	178	167	139	56				3"
S6 F16	104068460	104067460	15	20	243					212	204	190	158	64				3"
S6 F20	104068470	104067470	18,5	25	304					265	255	238	198	80				3"
S6 F24	104068480	104067480	22	30	365					318	305	286	238	96				3"



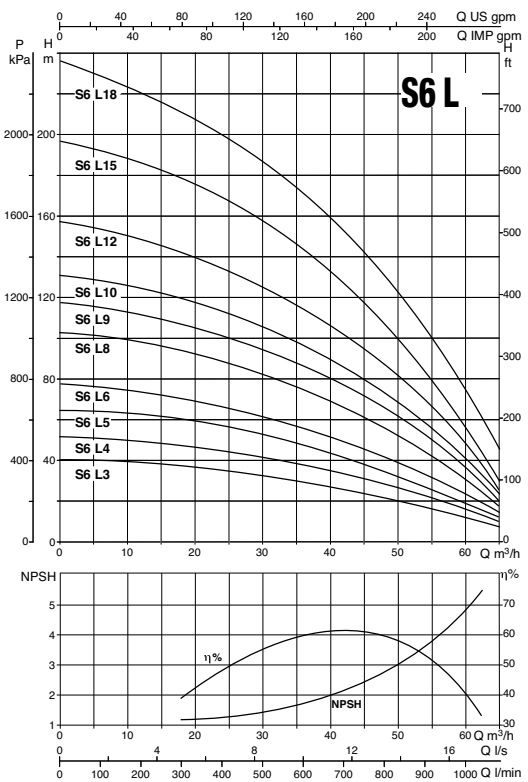
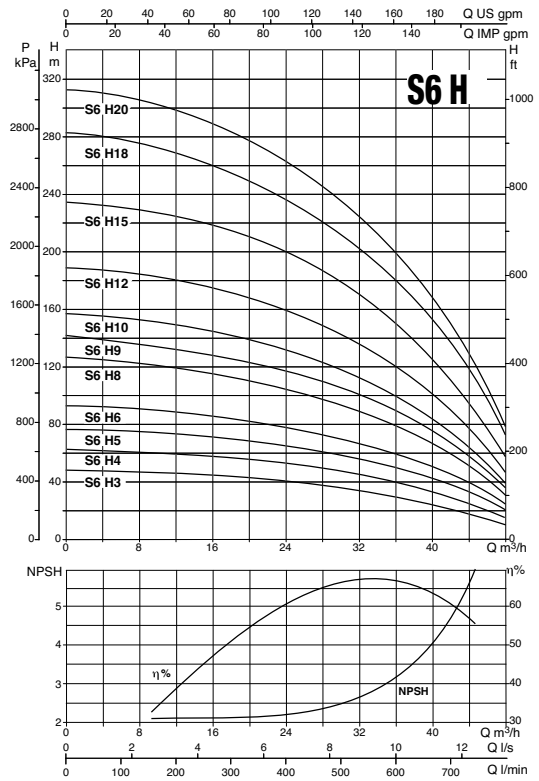
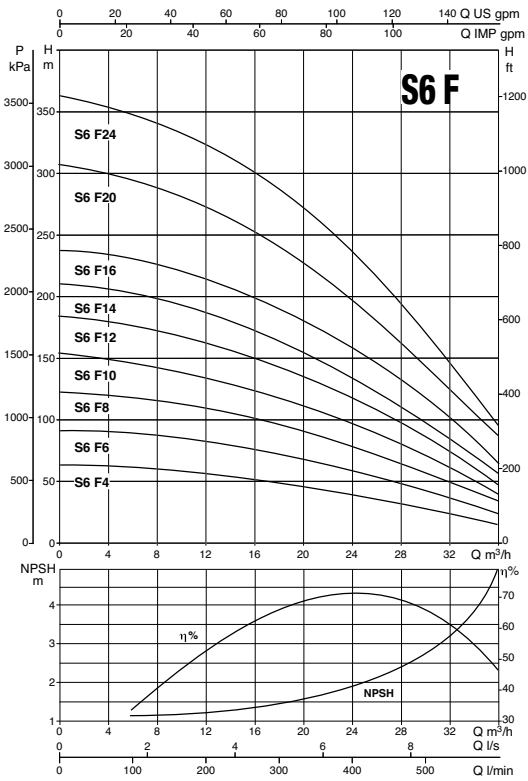
TECHNICAL DATA - S6 ONLY HYDRAULIC PART

MODEL	HYDRAULIC PART CODE DIRECT STARTING	HYDRAULIC PART CODE Λ/Δ STARTING	ELECTRICAL DATA		HYDRAULIC DATA										DNM GAS				
			MOTOR P2 NOMINAL		Q=m³/h	0	10,8	12	15	18	24	36	48	54		66			
			kW	HP	Q=l/min	0	180	200	250	300	400	600	800	900		1100			
S6 H3	104068600	104067600	4	5,5	H (m)	48				42	39	30	12					3"	
S6 H4	104068610	104067610	5,5	7,5		63				57	53	40	16						3"
S6 H5	104068620	104067620	7,5	10		78				71	66	50	20						3"
S6 H6	104068630	104067630	9,2	12,5		94				85	80	60	23						3"
S6 H8	104068640	104067640	11	15		126				114	106	80	31						3"
S6 H9	104068650	104067650	13	17,5		141				128	120	90	35						3"
S6 H10	104068660	104067660	15	20		157				142	133	100	39						3"
S6 H12	104068670	104067670	18,5	25		188				170	160	120	47						3"
S6 H15	104068680	104067680	22	30		235				213	199	150	59						3"
S6 H18	104068690	104067690	26	35		283				256	239	180	71						3"
S6 H20	104068700	104067700	30	40		314				284	266	200	78						3"
S6 L3	104068800	104067800	5,5	7,5		40						28	22	18	7				3"
S6 L4	104068810	104067810	7,5	10		52						38	29	23	9				3"
S6 L5	104068820	104067820	9,2	12,5		65						48	36	29	11				3"
S6 L6	104068830	104067830	11	15		78						57	44	36	13				3"
S6 L8	104068840	104067840	13	17,5		104						77	58	47	18				3"
S6 L9	104068850	104067850	15	20		118						86	66	53	20				3"
S6 L10	104068860	104067860	18,5	25		131						96	73	59	23				3"
S6 L12	104068870	104067870	22	30	158						114	88	71	27				3"	
S6 L15	104068880	104067880	26	35	197						144	110	89	34				3"	
S6 L18	104068890	104067890	30	40	236						173	130	106	41				3"	

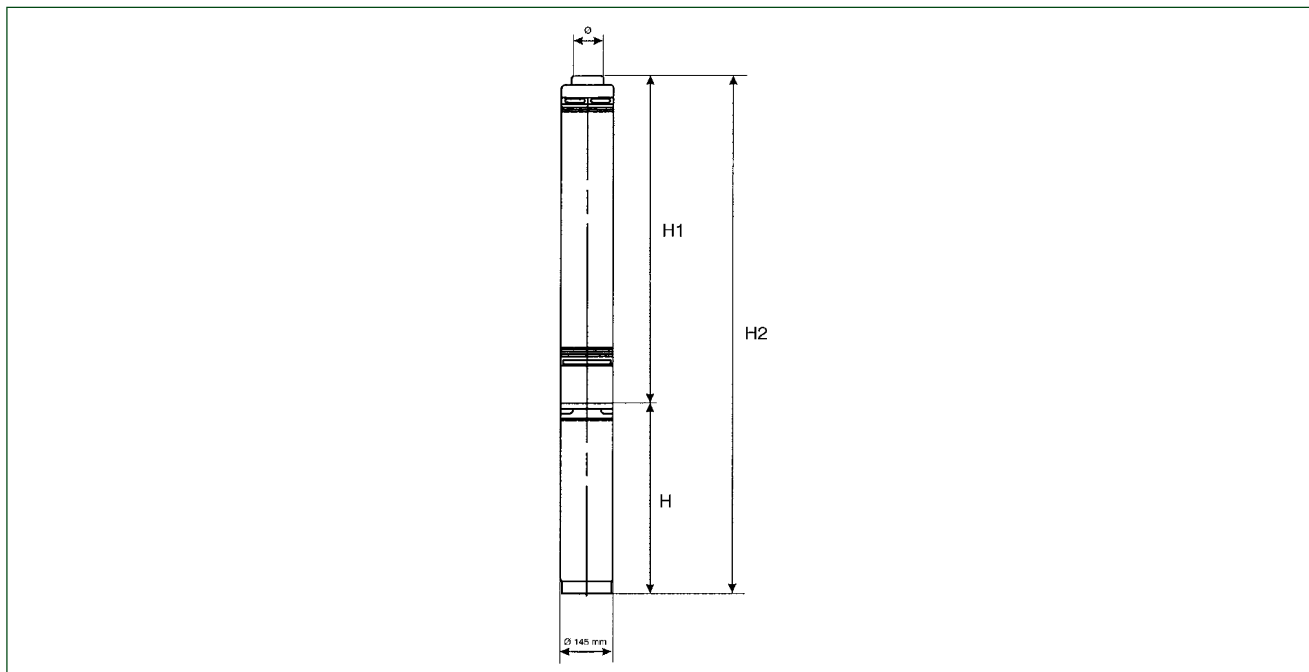


S6

6" SUBMERSIBLE PUMPS



DIMENSIONS AND WEIGHTS



MODEL	H (mm)	H1 (mm)	H2 (mm)	\emptyset	WEIGHT OF PUMP	TOTAL WEIGHT
S6 B9	600	625	1225	3"	11	50,5
S6 B12	631	738	1369	3"	13,5	56,7
S6 B15	660	852	1512	3"	15	60,5
S6 B18	685	966	1651	3"	17	66
S6 B21	685	1079	1764	3"	19,5	68,5
S6 B24	730	1193	1923	3"	21	74
S6 B28	785	1397	2182	3"	23,5	82,5
S6 D6	600	511	1111	3"	9	48,5
S6 D7	631	549	1180	3"	9,5	52,7
S6 D8	631	587	1218	3"	11	54,2
S6 D9	631	625	1256	3"	11	55,2
S6 D12	660	738	1398	3"	13,5	59
S6 D15	685	852	1537	3"	15	64
S6 D18	730	966	1696	3"	17	70
S6 D21	785	1079	1864	3"	19	78
S6 D24	785	1193	1978	3"	21	80
S6 D30	860	1474	2334	3"	25	91,5
S6 F4	600	511	1111	3"	10	49,5
S6 F6	631	625	1256	3"	11	54,2
S6 F8	660	738	1398	3"	13	58,5
S6 F10	685	852	1537	3"	14,5	63,5
S6 F12	730	966	1696	3"	16	69
S6 F14	785	1079	1864	3"	17,5	76,5
S6 F16	785	1193	1978	3"	20	79
S6 F20	860	1474	2334	3"	24	90,5
S6 F24	920	1700	2620	3"	27,5	100

DIMENSIONS AND WEIGHTS

MODEL	H (mm)	H1 (mm)	H2 (mm)	Ø	WEIGHT OF PUMP	TOTAL WEIGHT
S6 H3 + 6GF 4kW	600	463	1063	3"	7,5	47
S6 H4 + 6GF 5,5kW	631	522	1153	3"	8,5	51,7
S6 H5 + 6GF 7,5kW	660	582	1242	3"	9,5	55
S6 H6 + 6GF 9,2kW	685	642	1327	3"	10,5	59,5
S6 H8 + 6GF 11kW	730	762	1492	3"	12	65
S6 H9 + 6GF 15kW	785	822	1607	3"	14	73
S6 H10 + 6GF 15kW	785	882	1667	3"	14	74
S6 H12 + 6GF 18,5kW	860	1002	1862	3"	16	82,5
S6 H15 + 6GF 22kW	920	1182	2102	3"	19	91,5
S6 H18 + 6GF 30kW	1050	1414	2464	3"	22	107
S6 H20 + 6GF 30kW	1050	1534	2584	3"	25	110
S6 L3 + 6GF 5,5kW	631	463	1094	3"	7,5	50,7
S6 L4 + 6GF 7,5kW	660	522	1182	3"	8,5	54
S6 L5 + 6GF 9,2kW	685	582	1267	3"	9,5	58,5
S6 L6 + 6GF 11kW	730	642	1372	3"	10,5	63,5
S6 L8 + 6GF 15kW	785	762	1547	3"	12	71
S6 L9 + 6GF 15kW	785	822	1607	3"	13	72
S6 L10 + 6GF 18,5kW	860	882	1742	3"	14	80,5
S6 L12 + 6GF 22kW	920	1002	1922	3"	16	88,5
S6 L15 + 6GF 30kW	1050	1182	2232	3"	19	104
S6 L18 + 6GF 30kW	1050	1414	2464	3"	22	107