

MBF Series

Xe nâng Pallet chi phí thấp ... Hàng chất lượng cao

MB25
MB30
MB35
MB50

Top quality doesn't need to come at a high price. Our low-cost hand pallet trucks give you everything you need to do the job - plus a whole lot more. Built to the standards you'd expect from a world-leading manufacturer, these hard-wearing trucks are engineered for maximum strength and durability. Low-maintenance features, such as the quick-fit steer wheel and self-lubricating components, reduce downtime. And, like every truck bearing the Mitsubishi Forklift Trucks

name, every hand pallet truck is supplied with the full parts backup you need to keep your truck (and your business) in action for the long-term.

Like every Mitsubishi model, our hand pallet trucks are fully customisable. A wide range fork dimensions and specialist wheels - including tandem load and steer wheels - are available to suit your application. In addition, these rugged models can be fitted with brakes for an added level of safety.

Frame and body

- **Strong chassis** gives operator confidence in any application.
- **Steel entry brackets** offer exceptional durability in all working conditions.
- **Low centre of gravity** adds further stability, for safer operation.
- **Compact design** combined with a 210-degree steering angle gives maximum manoeuvrability.



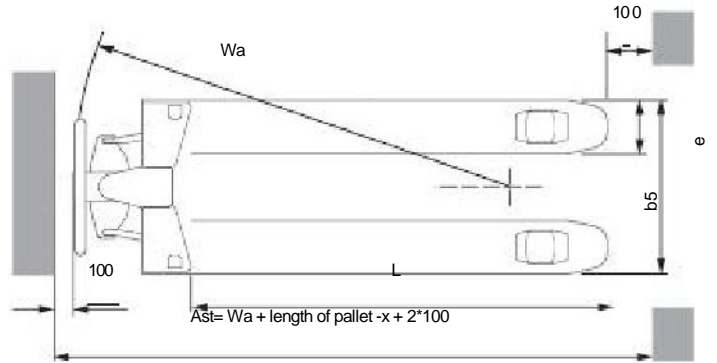
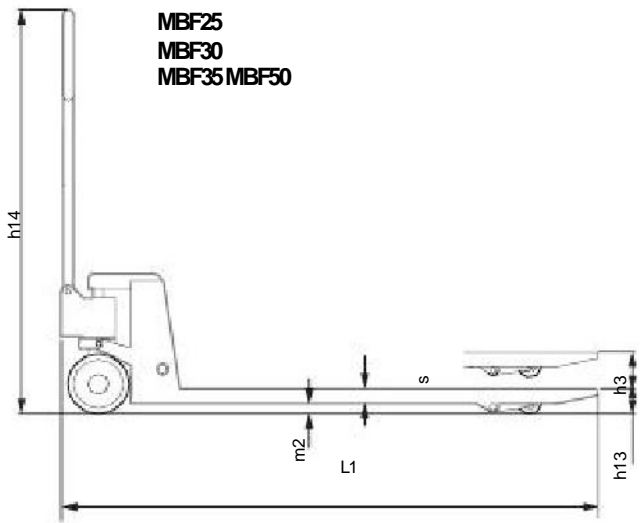
 **MITSUBISHI
FORKLIFT TRUCKS**

MBF Series

Hand Pallet Truck - 2.5 - 5 tonnes

Model	Đơn vị	BF25S/M	BF30S/M	BF35S/M	BF50M
Tải trọng nâng	kg	2,500	3,000	3,500	5,000
Chiều cao nâng thấp nhất	mm	85	85	85	85
Chiều cao nâng cao nhất	mm	200	200	200	200
Chiều rộng càng nâng	mm	550/ 685	550/ 685	550/ 685	685
Chiều dài càng nâng	mm	1,150/ 1,220	1,150/ 1,220	1,150/ 1,220	1,220
Kích thước bàn càng	mm	160 x 50	160 x 50	160 x 50	160 x 60
Kích thước bánh nhỏ	mm	•74 x 70/ Ø80 x 70	•80 x 70	•80 x 70	•80 x 75
Kích thước bánh lớn	•	•180 x 50/ Ø200 x 50	•200 x 50	•200 x 50	•200 x 50
Chất liệu bánh xe	mm	PU hoặc Nylon	PU hoặc Nylon	PU hoặc Nylon	PU hoặc Nylon







Controlled lowering valve



Smooth wheels



Ergonomic rubber handle

Forks

- **Mounted rollers on fork tips** allow effortless entry and exit to and from pallets.

Hydraulics

- **Overload bypass valve** minimises damage from excess weight for long truck life.
- **Lowering valve** restricts the rate of descent, to prevent load damage.
- **Reliable leak-proof hydraulic system** reduces need for unplanned maintenance.
- **Adjustable pump cap**

ensures a long service life.

Operator environment and controls

- **Ergonomic rubber handle** offers comfort, safety and high productivity.
- **Three-position lever** automatically returns to a neutral setting when not in use, to reduce operator fatigue.
- **Low ground clearance** (just 40mm) minimises risk of foot trapping.
- **Other features**
- **Well-placed lubrication points** on all movable parts allow for easy maintenance and a long truck life.
- **Easy-fit steering wheel** allows for quick replacement.
- **Effortless lift action** requires just 10 strokes to reach full height.

Options

- **Ergonomic nylon and Polyurethane steering wheel**
- **Tandem load wheels**
- **Choice of drive and load wheels for different applications**
- **Wide variety of fork dimensions**



when reliability is everything...

Like any product bearing the Mitsubishi name, our materials handling equipment benefits from the huge resources and cutting-edge technology of one of the world's largest corporations. So when we promise you **quality, reliability and value for money**, you know it's a guarantee we have the power to deliver.

Every model in our comprehensive, award-winning range of forklift trucks and warehouse equipment is built to a high specification and is designed to keep on working for you... day after day... year after year... whatever the job... whatever the conditions.

To ensure your truck stays in constant productive action, we have a network of local dealers - hand-picked for their commitment to customer care... and backed up by the Mitsubishi Forklift Trucks organisation. No

matter where you are, we have a dealer close by - ready and willing to meet your needs.

That friendly local service covers everything from identifying the perfect model and configuration for your application to providing competitive, flexible finance and maintenance packages, unbeatable warranties, long and short term hire, and highly responsive field service and repairs... as well as the industry's quickest and most reliable parts supply.

Only Mitsubishi can give you this combination of global engineering excellence and outstanding local support... only Mitsubishi offers you such a quality product at such an affordable price... and only Mitsubishi places reliability as high as you do in its priorities. Contact your local dealer now and see what Mitsubishi can do for you.

You can find your nearest dealer at

www.mitforklift.com



W
E
G
M
1
5
8
2

